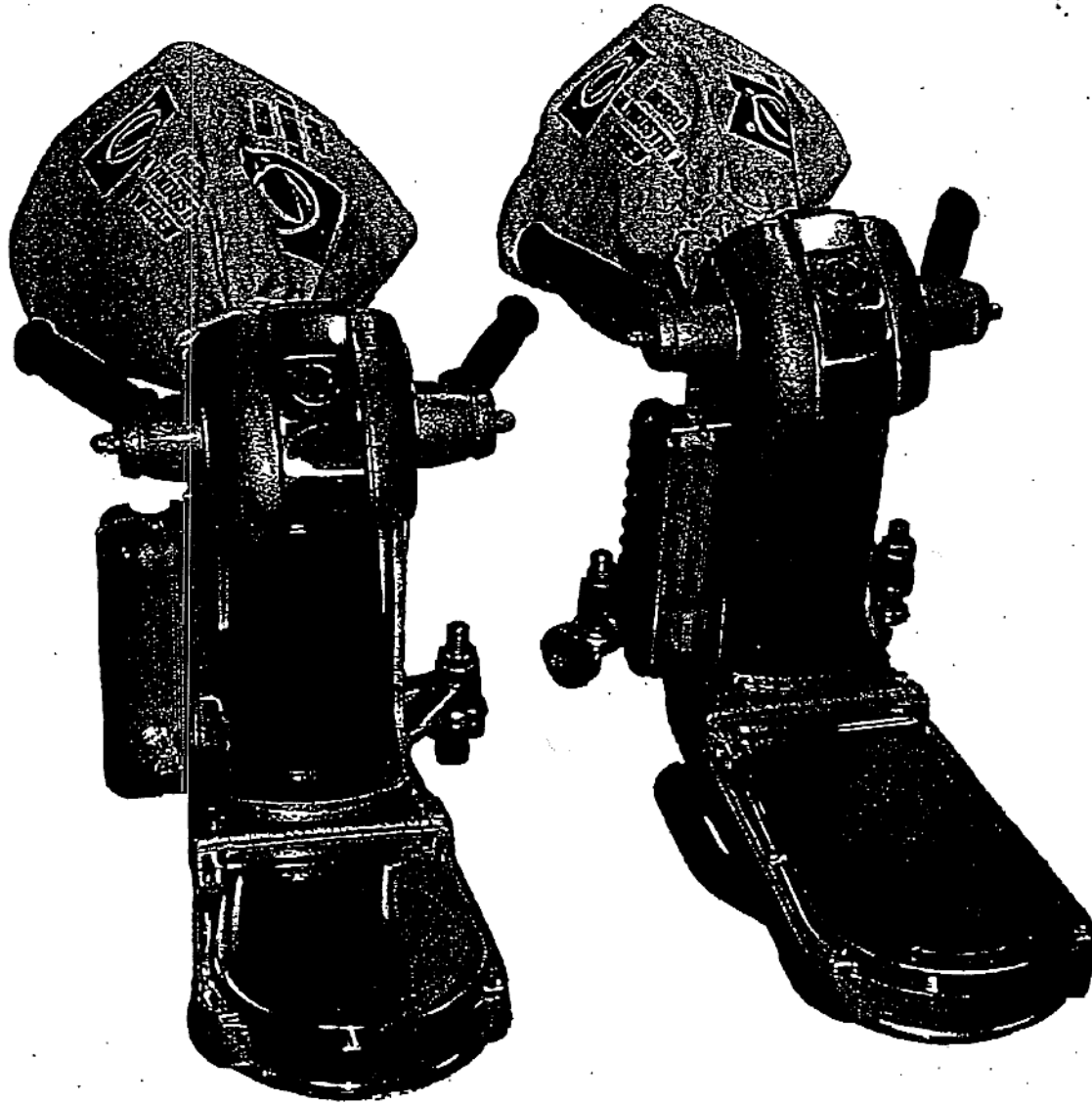


RESERVDELAR • SPARE PARTS
ERSATZTEILE • PIÈCES DE RECHANGE
RECAMBIOS

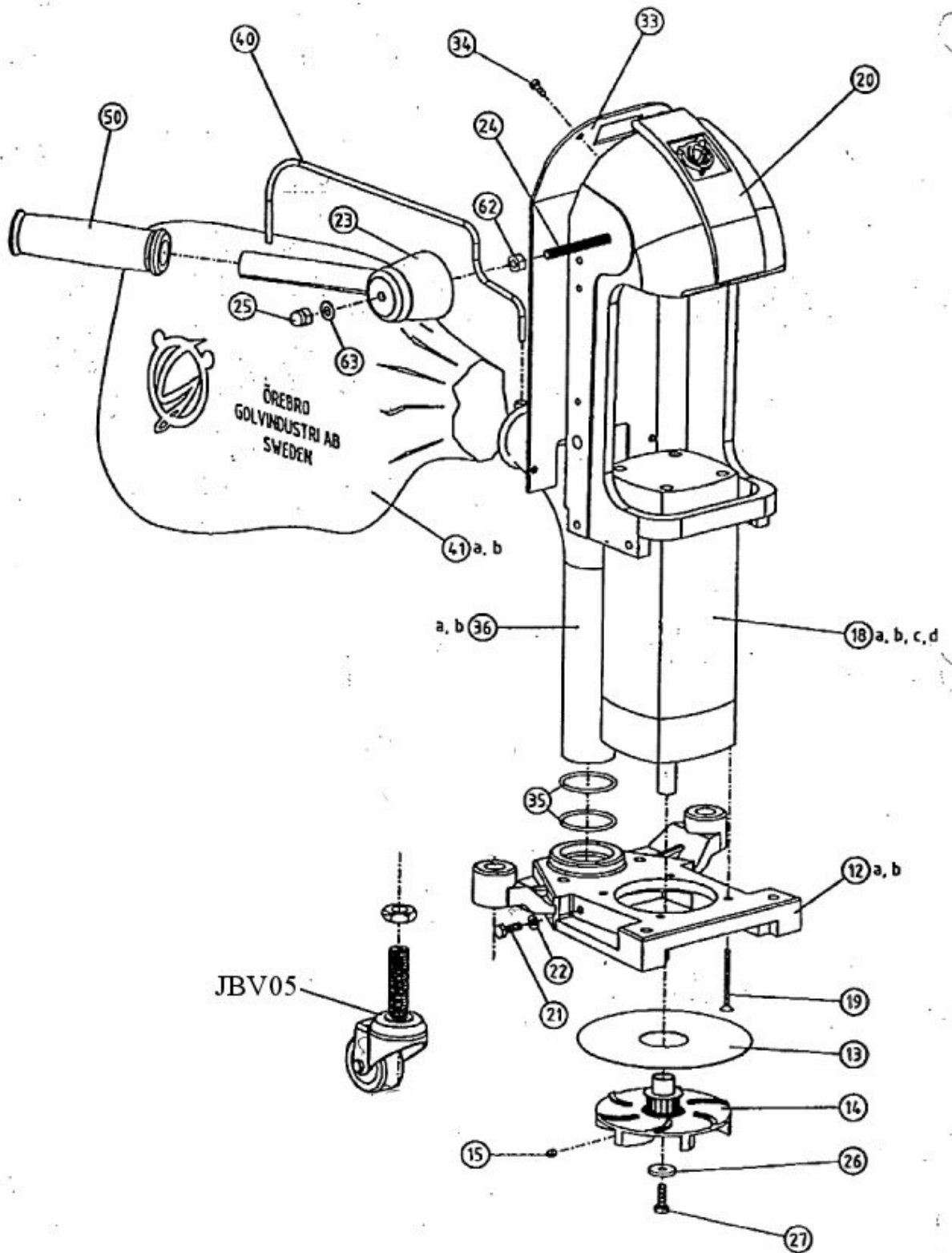


Viking

Golvslipmaskin • Floor Sanding Machine
Bodenschleifmaschine • Ponceuse
Lijadora para pisos



MASKINSTATIV
HOUSING
MASCHINENGESTELL
BÂTI DE MACHINE
BASTIDOR



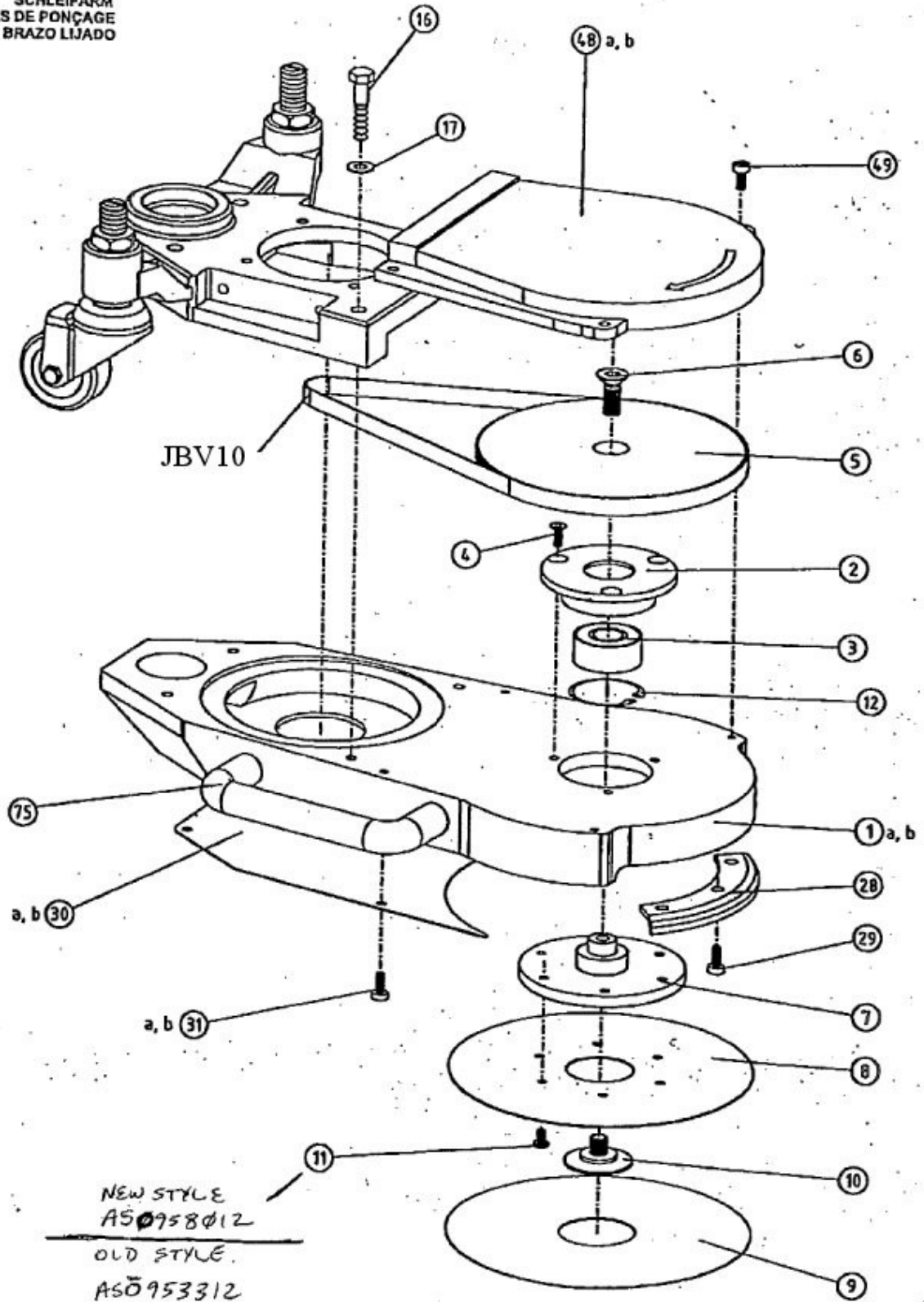
1a

SIDA
PAGE

Viking Housing Parts & Price List

Position #	PART #	Description
12a	ASO231012	MOTOR/WHEEL BRACKET (NEW STYLE)
12b	ASO231112	CHINESE MOTOR BRACKET
13	ASO231013	LARGE WASHER (EDGER FAN)
14	ASO231014	VENTILATOR COMPLETE
15	ASO955412	SCREW (HOUSING)
18a	ASO900300	MOTOR 2 kW 230V/50 Hz
18b	ASO900330	VIKING MOTOR 110V/60 (GREY)
18d	ASO900340	VIKING MOTOR 110V/60 (BLACK) (4.1.21)
19	ASO958065	SCREW
20	ASO231020	FRONT COVER
21	ASO951418	SCREW
22	ASO965400	WASHER (REPLACE COMP SPRING)
	ASO231023	SEE OR231023 - HANDLE (EDGER)
23	ASO231023	HANDLE (EDGER)
24	ASO951528	SCREW THREADED UP TO THE NECK
25	ASO962500	CAP NUT
26	ASO965004	WASHER
27	ASO951415	SCREW
33	ASO231033	BACK PLATE
34	ASO950314	SCREW
35	ASO927044	GASKET 44, 2X3 (EDGER)
36a	ASO221003	VACUUM CLEANER TUBE (LONG FOR
36b	ASO231035	DCS PIPE FOR VIKING (SHORT FOR
37	ASO231037	SWIRVEL AXEL (EDGER)
38	ASO960090	NUT M16 (EDGER)
39	ASO945350	SWIRVEL WHEEL
40	ASO221001	BRACKET FOR DUSTBAG
41a	ASO992000	DUST BAG
41b	ASO992001	DUST BAG "BONA"
50	ASO945570	RUBBER HANDLES BLACK (PAIR)
62	ASO960500	NUT
63	ASO965500	WASHER
	ASO231700	WHEEL COMPLETE ø50
	ASO231600	WHEEL COMPLETE ø42 (older type)
	ASO231500	WHEEL COMPLETE BALL ø40, (older type)

SLIPARM
SANDING ARM
SCHLEIFARM
BRAS DE PONÇAGE
BRAZO LIJADO



NEW STYLE
AS0958012

 OLD STYLE
 AS0953312

2a

SIDA
PAGE

AS0222059

Viking Sanding Arm Parts & Price List

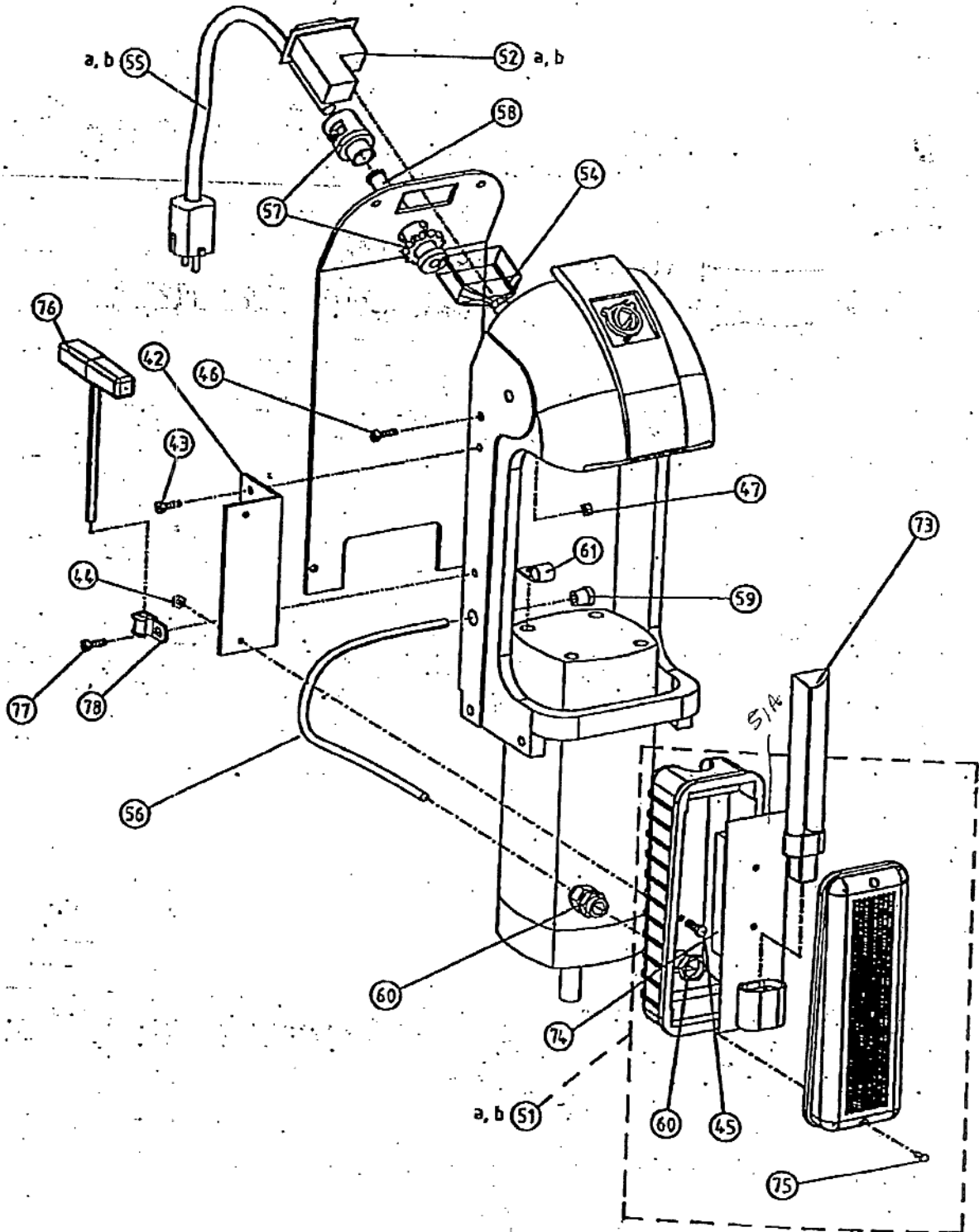
Position #	PART #	Description
1a	ASO232001	SANDING ARM
2	ASO232002	BEARING HOUSING
3	ASO913203	VIKING EDGER BEARING 5203A-2RS1
4	ASO953415	SCREW
5	ASO232005	V-BELT PULLEY, BIG
6	ASO953619	SCREW
7	ASO232007	SANDING CENTER-OLD BEFASO S/N A12998 NO LONGER AVAILABLE USE ASO232107 SANDING CENTER, MUST ALSO REPLACE FLEX. STEEL DISC (USE #ASO232008) AND SCREWS (6 EA.) (USE #ASO958012)
8	ASO232008	FLEX. STEEL DISC - AFTER S/N A12998
	ASO958012	SCREW, FASO FLEXIBLE STEEL DISC (SILVER STAR) AFTER S/N A12998
9	AAS19165502 Blk.	SIAFAST CONVERSION DISC. (ASO222059) LGD 9.00 ONE PACKAGE OF 2 EA.
10	ASO232010	PAPER TENSIONER SCREW (ASO232053)
11	ASO232107	SANDING CENTER - AFTER S/N A12998 IF REPLACING OLD SANDING CENTER MUST ALSO CHANGE FLEX. STEEL DISC (USE ASO232008) AND SCREWS (6 EA.) (ASO958012)
12	ASO931040	CIRCLIP RING
16	ASO951522	SCREW
17	ASO966500	SPRING WASHER
28	ASO222061	DISC GUARD
29	ASO950312E	SCREW, M5X8
30a	ASO232030	LOWER COVER PLATE
31a	ASO953314	PLAHER BLADE SCREWS (MF6S M5x12)
32a	ASO924690	V-BELT, COGGED (EDGER)
48a	ASO232048	BELT COVER GMU 250
49	ASO950315	SCREW
	ASO232000	SANDING ARM COMPLETE
	ASO232102	BEARING HOUSING COMPLETE

Long Sanding Arm Parts & Price List

Position #	PART #	Description
1b	ASO232101	SANDING ARM LONG
30b	ASO232130	LOWER COVER PLATE LONG
31b	ASO958030	TASOX SCREW
32b	ASO924900	COGGED BELT
48b	ASO232148	BELT COVER LONG
75	ASO945129	HANDLE SANDING ARM
	ASO950518	SCREW, HANDLE
	ASO232100	SANDING ARM LONG COMPLETE

ASO222053 PAPER RETAIN WASHER
 ASO963600 PAPER RETAINING NUT
 ASO990650 WRENCH - PAPER RET. NUT.

BELYSNING
ILLUMINATION
BELEUCHTUNG
ILLUMINACIÓN



3a

SIDA
PAGE

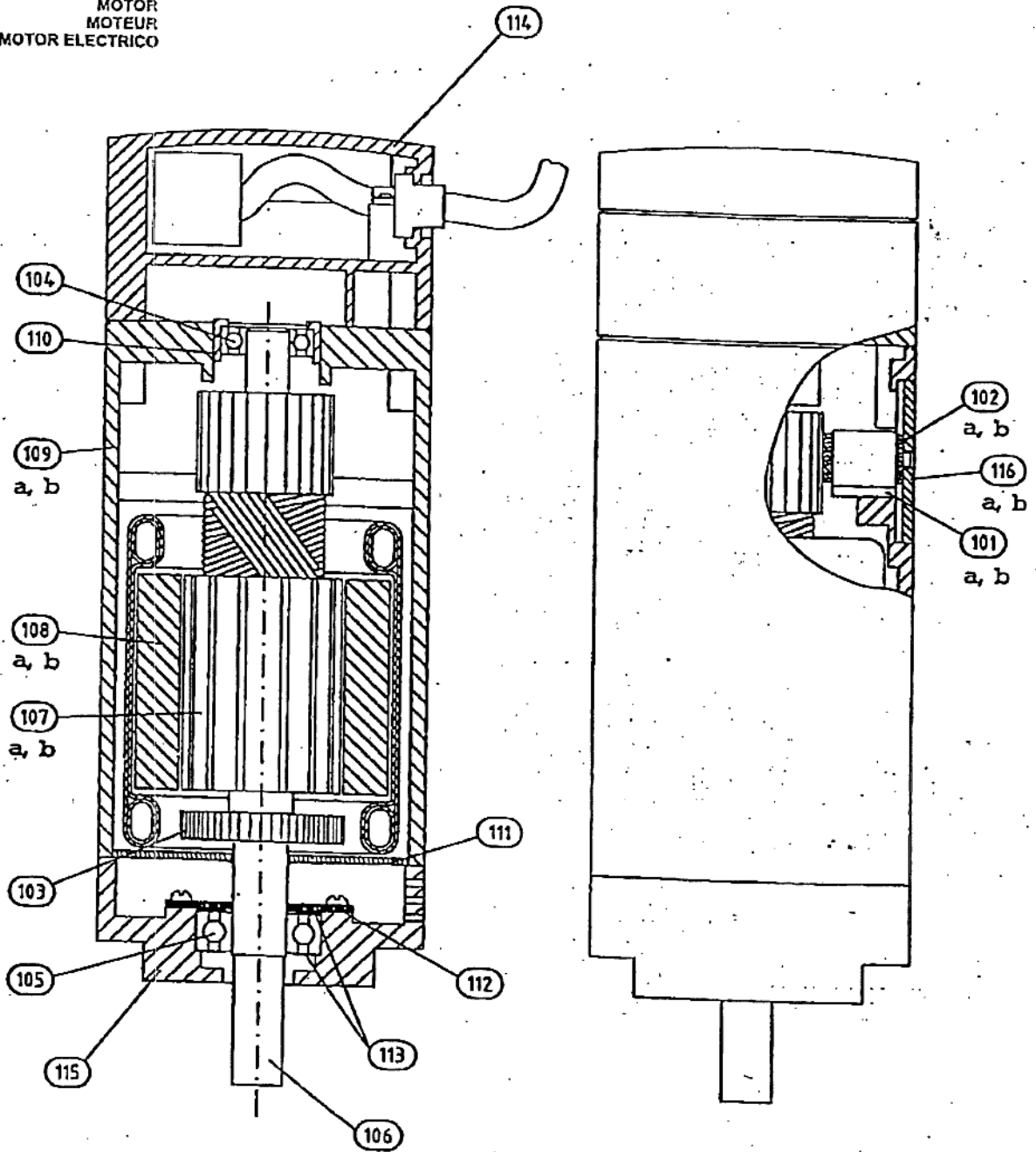
ASO 233500
ILLUMINATOR

DISTY COCT
102 70

Viking Illumination Parts & Price List

Position #	PART #	Description
42	ASO233042	LAMP BRACKET
43	ASO950314	SCREW
44	ASO962200	HAT NUT
45	ASO954214	SCREW
46	ASO950316	SCREW
47	ASO960300	NUT
52a	ASO903876	SWITCH 230V/50Hz
52b	ASO903878	SWITCH 110V/60Hz
54	ASO903877	PROTECTION COVER
55a	ASO233043	POWER CORD (CABLE
55b	ASO233043	CABLE STAND 110V/60Hz
56	ASO908210	CABLE
57	ASO903897	STRAIN RELIEF
58	ASO903896	CORD STRAIN
58	ASO903894	RUBBER INLET
60	ASO903895	SCREW CAP, BLACK
61	ASO906110	RUBBER CLIP
73	ASO907210	LIGHT BULB
74	ASO907207	REACTOR
75	ASO958122	SCREW
76	ASO990615	HEXAGONAL
77	ASO950314	SCREW
78	ASO906112	RUBBER CLIP
51a	ASO233400	ILLUMINATION COMPLETE
51b	ASO233500	ILLUMINATION 120V 60HZ

MOTOR
MOTOR
MOTOR
MOTEUR
MOTOR ELECTRICO



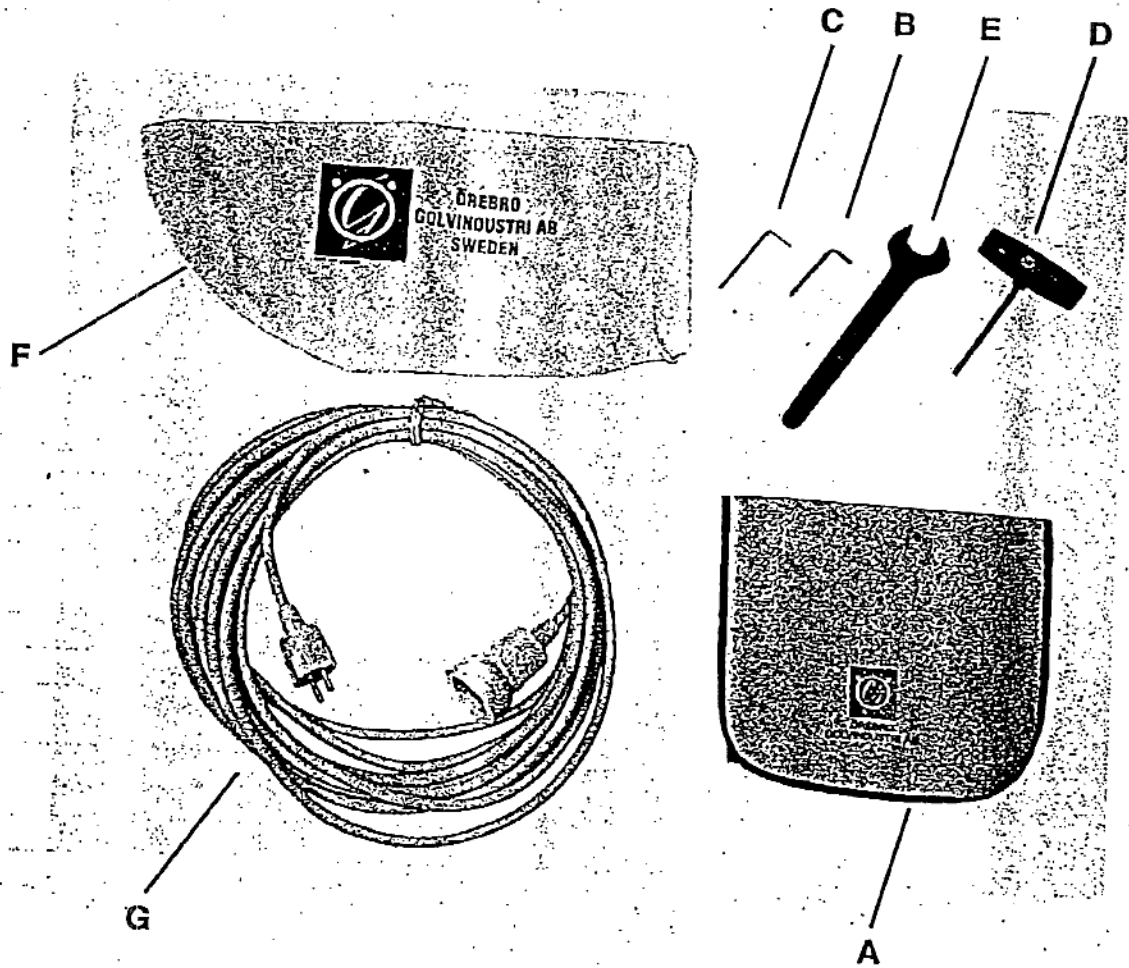
4a

SIDA
PAGE

Viking Motor Parts & Price List

Position #	PART #	Description
101a	ASO901315	COAL BRACKET
101b	ASO901335	BRUSH COVER
102a	ASO901316	COAL
102b	ASO901336	COAL (BRUSHES/EDGER)(ASO377192 older style) or (ASO901346 newer style)
	ASO377192	CARBON BRUSH FOR VIKING (pair) (ASO901336)(for use w/grey motor and round brush block) (square shape) $\frac{1}{2} \times \frac{3}{4}$ $\frac{1}{2} \times \frac{3}{4}$
	ASO901346	CARBON BRUSH FOR VIKING (pair) (ASO901336)(for use w/black motor and square brush block) (oblong shape) $\frac{1}{2} \times \frac{1}{4}$ $\frac{1}{2} \times \frac{1}{4}$
103	ASO901352	VENTILATOR
104	ASO917001	UPPER ARM. BEARING 6001-2RS (for grey motor with round brush block)
105	ASO917202	BALL BEARING LOWER 6202-2RZC4V
106	ASO901351	ROTOR SHAFT
107a	ASO901311	ROTOR INCL. VENTILATOR
107b	ASO901331	ARMATURE (VIKING)
108a	ASO901312	STATOR
108b	ASO901332	STATOR
109a	ASO901313	MOTOR CASING
109b	ASO901333	MOTOR CASING
110	ASO901314	BEARING KEEPER FOR TOP BEARING
111	ASO901353	WASHER
112	ASO901317	BEARING BUSH STEEL
113	ASO901356	WASHER
114	ASO901320	MOTOR GABLE
115	ASO901354	BEARING BUSH FLANGE
116a	ASO901318	BRUSH CAP
116b	ASO901319	BRUSH CAP FOR VIKING

TILLBEHÖR
ACCESSOIRES
ZUBEHÖR
ACCESSOIRES
ACCESORIOS



5a

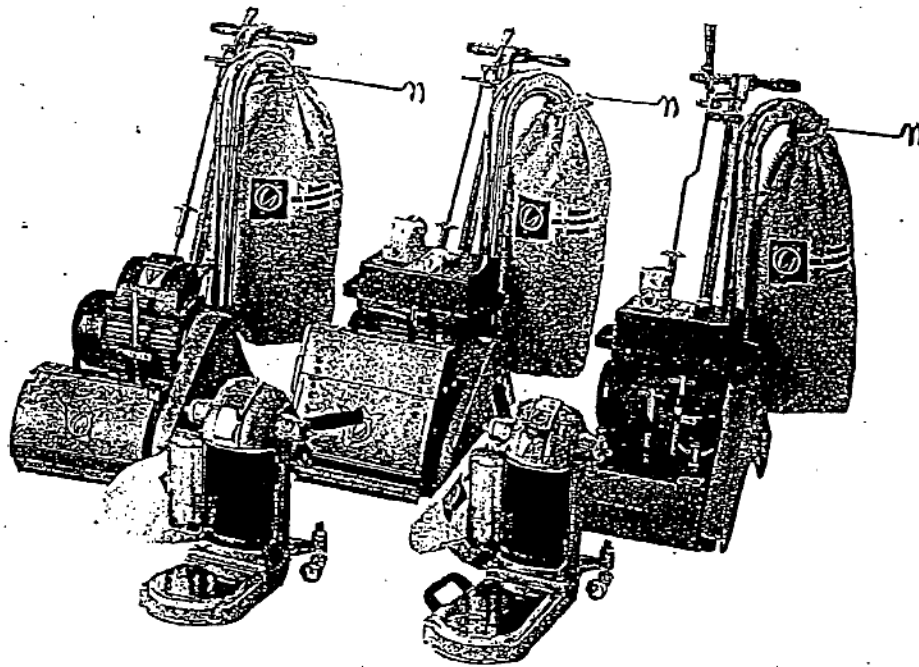
SIDA
PAGE

Viking Accessories Parts & Price List

Position #	PART #	Description
A	ASO991100	TOOL BAG
B	ASO990625	TORX KEY TX15
C	ASO990603	HEXAGONAL WRENCH 3MM
D	ASO990615	(HEXAGONAL WRENCH) (ASO990650)
E	ASO990824	KEY N=24
F	ASO992000	DUST BAG
G	ASO904023	EXTENSION CABLE
	ASO901105	TOOL BAG COMPLETE

Örebro Golvindustri AB

The new generation floor sanders



Örebro Golvindustri AB

SWEDEN