

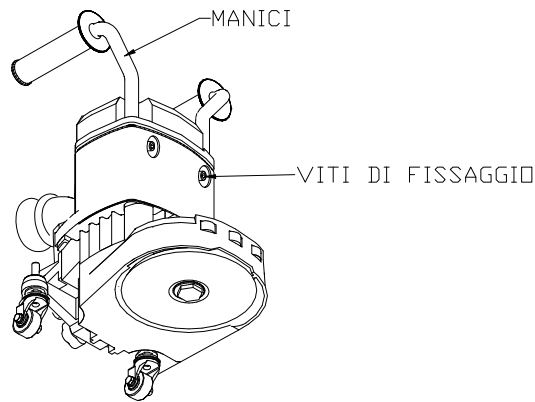
INSTRUCTION FOR ASSEMBLING THE NEW SWITCH

Attention!: VERIFY THAT THE PLUG IS DISCONNECTED FROM MAINS.

1. Loosen the screws that are fixing the handles. Then remove them from their seats.

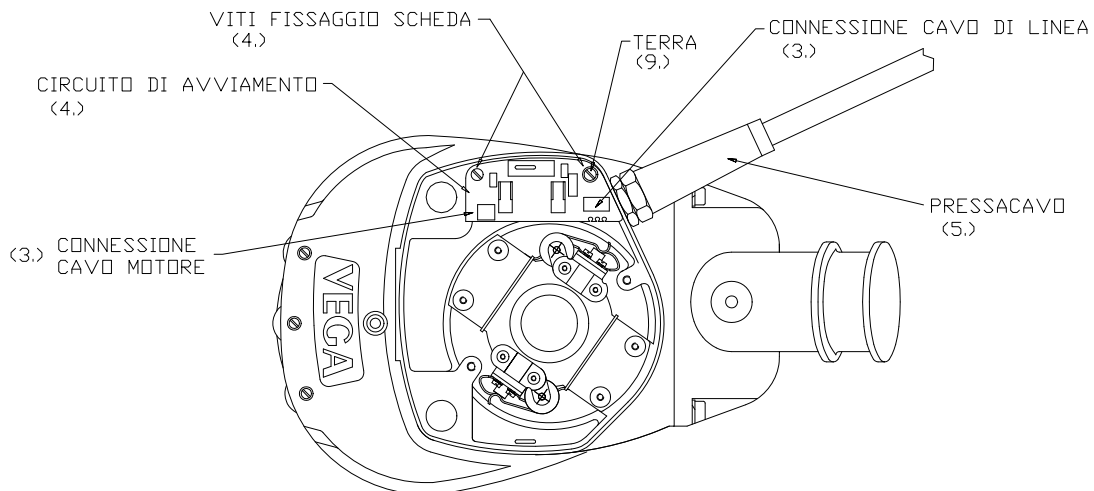
Manici = Handles

Viti di fissaggio = Screws to fix the handles



Loosen the screws that are fixing the motor cover and remove it.


2. Remove the line cable and the motor cable from the starting circuit by loosening the screws on both the external parts of the printed circuit board.
3. Remove the starting circuit by unscrewing the 2 screws which fix it on the case.
4. Loosen the cable fairlead and pull the line cable inward the case till you get a good accessibility.



Connessione cavo motore = Motor cable connection

Circuito di avviamento = Starting circuit

Viti fissaggio scheda = Screws which fix the card

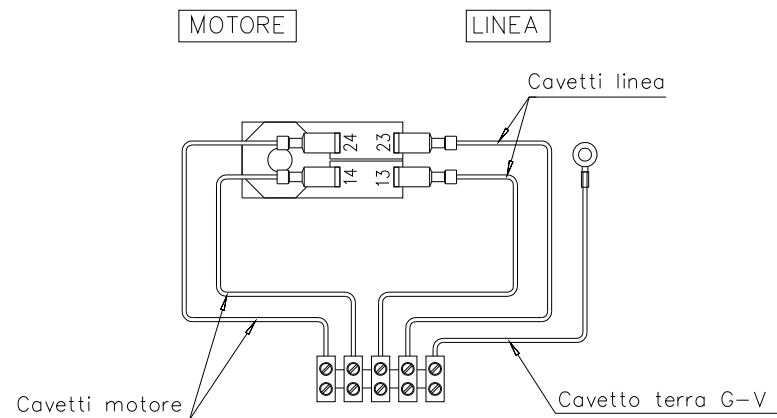
 	EDGER FOR WOODEN FLOORS VEGA - PEGASUS	ED. 01 Page 2/2
---	--	---------------------------

Terra = Ground

Connessione cavo di linea = Line cable connection

Pressacavo = Fairlead

5. Connect the leads of the line cable to the 13 and 23 contacts on the terminal board.
6. Connect the leads of the motor cable to the 14 and 24 contacts on the terminal board.
7. Now, connect the yellow-green ground wire to the last one position on the terminal board.



Motore = Motor

Cavetti motore = Motor cables
ground wire

Linea = Line

Cavetto terra G-V = Green-yellow

8. Screw the yellow-green ground wire of the terminal board to the hole near the edge of the frame by the cable fairlead using a screw and a toothed washer.
9. Pull slowly the line cable forwards and tighten the cable fairlead.
10. Position the new cover and fix the 4 screws.