



SL-8 Floor Sander Parts Price List

Part #	Description	Cost	Part #	Description	Cost
SL80	Essex Video		SL839	Switch Housing	
SL81	Fan Housing		SL839A	Switch Housing Tube Screw	
SL81A	Fan Housing Screws		SL840	Switch Housing Cover	
SL82	Fan (Exhaust)		SL840A	Toggle Guard (Canada)	
SL83	Fan Shaft		SL841	Switch Housing Cover Screw	
SL84	Fan Pulley		SL842	Wood Handle	
SL85	Exhaust Fan Key		SL843	Wood Handle Retaining Screw	
SL85A	Fan Pulley Key		SL844	Handle Tube Socket	
SL86	Exhaust Fan Washer		SL844A	Handle Tube Socket Screw Set	
SL87	Exhaust Fan Nut		SL844B	Holding Strap (Canada)	
SL88	Fan Bearing (6203)		SL845	Handle Tube Socket Screws	
SL89	Fan Bearing Retaining Ring		SL846	Handle Tube	
SL810	Fan Pulley Washer		SL847	Handle Tube Cord w/Terminals	
SL811	Fan Pulley Nut		SL848	Handle Tube Cord Twist Lock	
SL812	Idler Pulley Bearing (6201)		SL849	Handle Tube Grommet	
SL813	Idler Pulley		SL850	Switch Housing Strain Reliever	
SL814	Idler Arm		SL851	Switch Handle Twist Lock (#4720C)	
SL815	Idler Arm Retaining Plate		SL8-51A	Switch Handle Cord w/ Terminals	
SL816	Idler Arm Retaining Plate Screws		SL852	Switch	
SL817	Idler Arm Spring		SL853	Dust Tube Socket	
SL818	Idler Stud		SL854	Dust/Handle Tube Screw	
SL819	Idler Stud Washer		SL855	Dust Tube Socket Screw	
SL820	Idler Stud Nut		SL856	Dust Tube	
SL821	Idler Arm Spring Screw		SL857	Dust Bag Elbow	
SL831	Drum Bearing #6203		SL858	Dust Bag	
SL832	Drum Bearing Boot		SL859	Wheel Shaft	
SL833	Drum Pulley		SL860	Wheel Shaft Collars	
SL833X	Drum Pulley (Australia)		SL861	Rubber Wheels	
SL834	Drum Pulley Washer		SL862	Wheel Level Disc	
SL834F	Flat Washer		SL863	Wheel Shaft Washer	
SL834X	Drum Pulley Washer (Export)		SL864	Wheel Shaft Nut	
SL835	Drum Pulley Nut		SL865	Dust Pan	
SL839	Switch Housing		SL867	Dust Pan Screw	
SL839A	Switch Housing Tube Screw		SL868	Dust Pan Spring Pin	
SL840	Switch Housing Cover		SL869	Drum Cover	
SL840A	Toggle Guard (Canada)		SL869A	Drum Cover Guard (Polyurethane)	
SL841	Switch Housing Cover Screw		SL870	Bumper Pin	
SL839	Switch Housing		SL871	Rubber Bumper	
SL839A	Switch Housing Tube Screw		SL872	Bumper Screw	
SL840	Switch Housing Cover		SL873	Drum Cover Spring Pin	
SL840A	Toggle Guard (Canada)		SL874	Paper Bender	
SL841	Switch Housing Cover Screw		SL875	Paper Bender Screw	

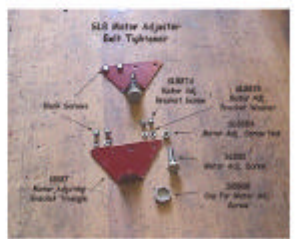
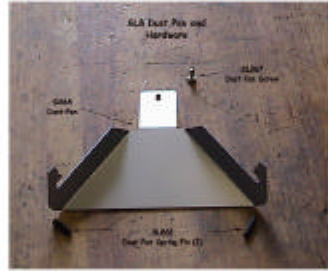
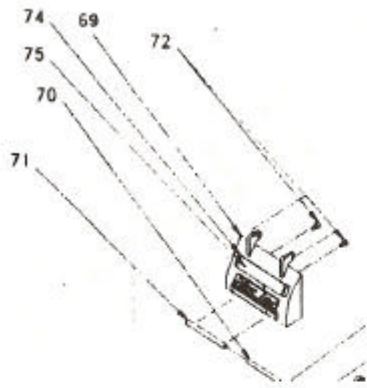
SL842	Wood Handle	SL876	Lift Handle Stud (L)
-------	-------------	-------	----------------------



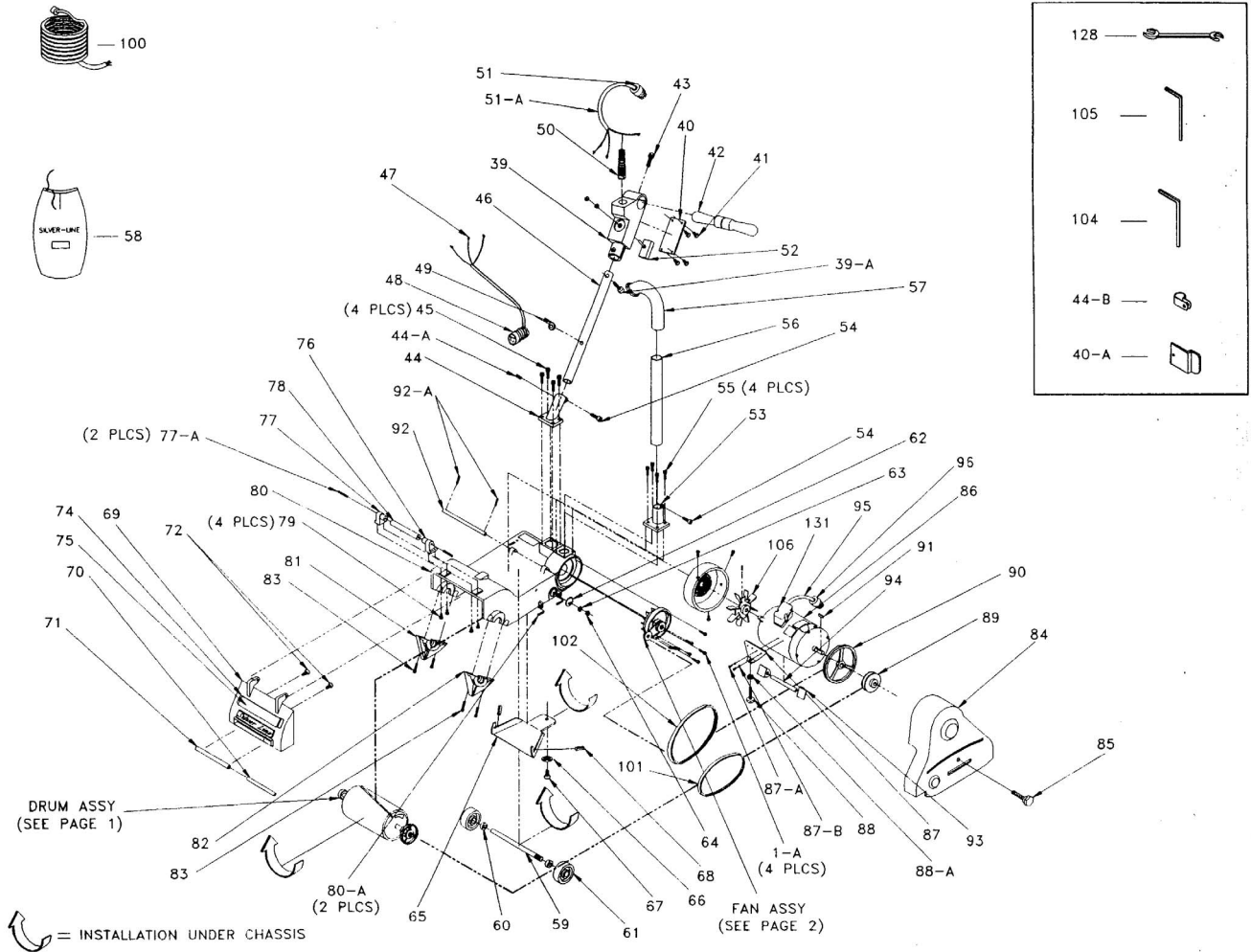
SL843	Wood Handle Retaining Screw	SL877	Lift Handle Stud (R)
-------	-----------------------------	-------	----------------------

SL-8 Floor Sander Parts Price List

Part #	Description	Cost	Part #	Description	Cost
SL877A	Lift Handle Stud Spring Pin		SL8107	Motor Brushes	
SL878	Lift Handle Tubing		SL8107A	Brush Spring Only	
SL879	Lift Handle Stud Screw		SL8108	Motor Bearings	
SL-880	Sander Chassis (w/881 & 882)		SL8109	Motor Armature	
SL880A	Spring Pin Belt Cover		SL8109R	Armature (Rebuilt/Exchange)	
SL881	Drum Bearing Cap (Closed End)		SL8110	Motor Field	
SL882	Drum Bearing Cap (Open End)		SL8111	Dynafan Belt	
SL883	Drum Bearing Cap Screws		SL8112	Dynafan Drum	
SL884	Pulley & Belt Cover		SL8113	Motor Adjusting Bracket (Dyna)	
SL885	Pulley Belt Locking Screw		SL8114	Motor Brushes (Dyna)	
SL886	1HP Baldor Motor (Ind/Rep)		SL8115	Motor Bearings (Dyna)	
SL886A	SL8 Motor Exchange		SL8116	Motor Pulley (Dyna)	
SL886R	Motor (Rebuilt)		SL8117	Motor Fan Belt (Master)	
SL887	Motor Adjusting Bracket Triangle		SL8118	Motor Drum Belt (Master)	
SL887A	Motor Adjusting Bracket Screw		SL8119	Motor Adjusting Bracket (Master)	
SL887B	Motor Adj. Bracket Screw Washer		SL8120	Motor Brushes (Master)	
SL888	Motor Adjusting Screw		SL8121	Motor Bearings (Master)	
SL888A	Motor Adjusting Screw Nut		SL8122	Motor Pulley (Master)	
SL888B	Cap for Motor Adjusting Screw		SL8123	SL-8 Drum Recovery	
SL889	Drum Motor Pulley		SL8124	Gold Line Recovery	
SL889X	Drum Motor Pulley (Australia)		SL8125	Pro-8 Drum Recovery	
SL890	Fan Motor Pulley		SL8126	Pro-10 Drum Recovery	
SL891	Motor Pulley Key		SL8127	Pro-12 Drum Recovery	
SL892	Motor Hinge Pin		SL8128	Drum Paper Cam Wrench	
SL892A	Cotter Pin (Mtr Hinge)		SL8129	Electrical Box Bottom (Baldor)	
SL893	Motor Hinge Bracket		SL8130	Electrical Box Top (Baldor)	
SL894	Motor Hinge Spacer		SL8131	Electric Box Complete	
SL895	Motor Cord w/Term.		SL8131A	Motor Cord Connector	
SL896	Motor Cord T-Lock (Male) #4720C		SL8132	Motor Brush Cover & Gasket	
SL897	25' Cord w/Twist Lock (F)		SL8111A	Fan Idler Assembly	
SL898	Twist Lock (Female) #4729C		SL8222	Drum Assembly	
SL899	Straight Pin Plug (Male) #1447		SL8333	Handle Assembly	
SL899A	Straight Pin Plug (Female)		SL8444	Wheel Assembly	
SL8100	25' Cord Only		SL8555	Drum Cover Complete	
SL8101	Drum Belt (Baldor) 4L290		SL8666	Motor Assembly (Baldor)	
SL8101X	Drum Belt (Export)		SL8666(50hz)	Motor Assembly (50hz) (Baldor)	
SL8102	Fan Belt (Baldor) 3L310		SL8ND	Drum (New)	



— SL-8 EXPLODED ASSEMBLY —



Essex Silver-Line Corporation

Limited One Year Warranty

Essex Silver-Line Corporation warrants the floor sanding equipment for a period of one year from the date of original purchase. We will repair or replace at our option, any part or parts of the products under this warranty which examination proves to be defective in workmanship or materials during the warranty period. For repair, return machine or parts to Essex Silver-Line Corporation transportation prepaid. This warranty does not apply to repair or replacement required due to misuse, abuse, normal wear and tear and/or repairs attempted or made by other than our service center. For the purpose of this warranty, damage