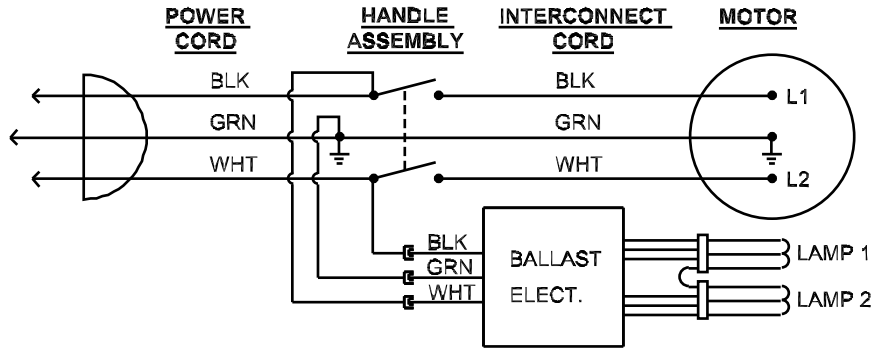
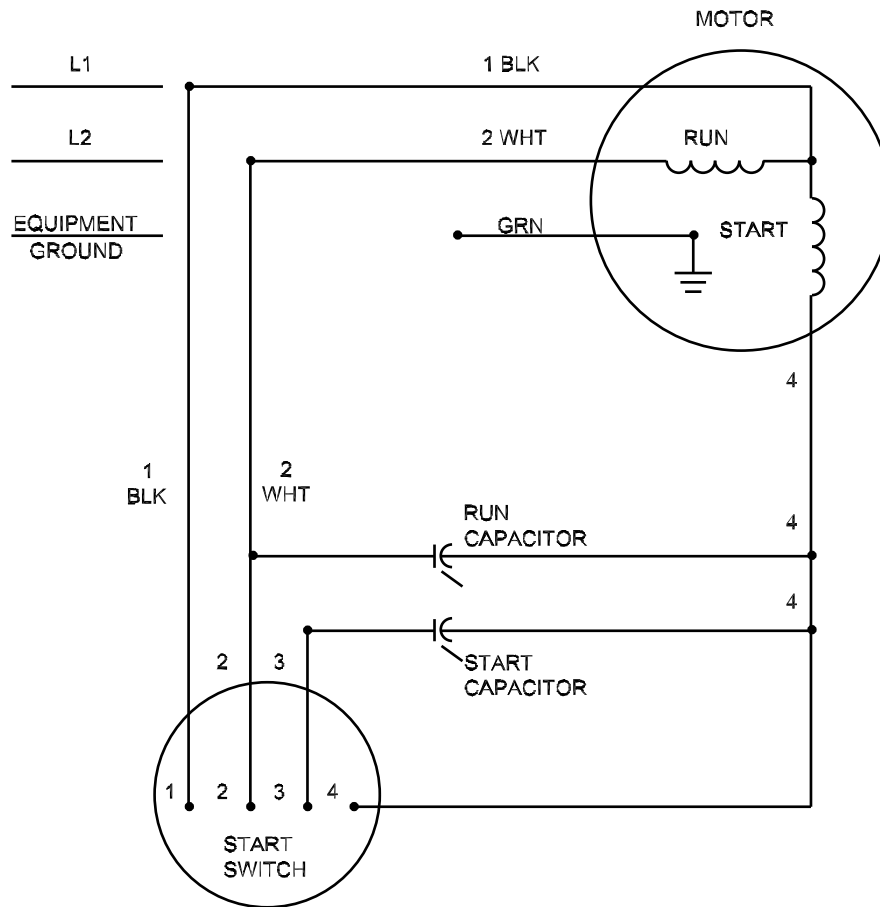


**Clarke**  
**American Sanders**  
 Sander 1600DC



WIRING SCHEMATIC  
 10/01

**⚠ WARNING: All electrical repairs must be performed by qualified personnel only.**



MOTOR SCHEMATIC  
 10/01