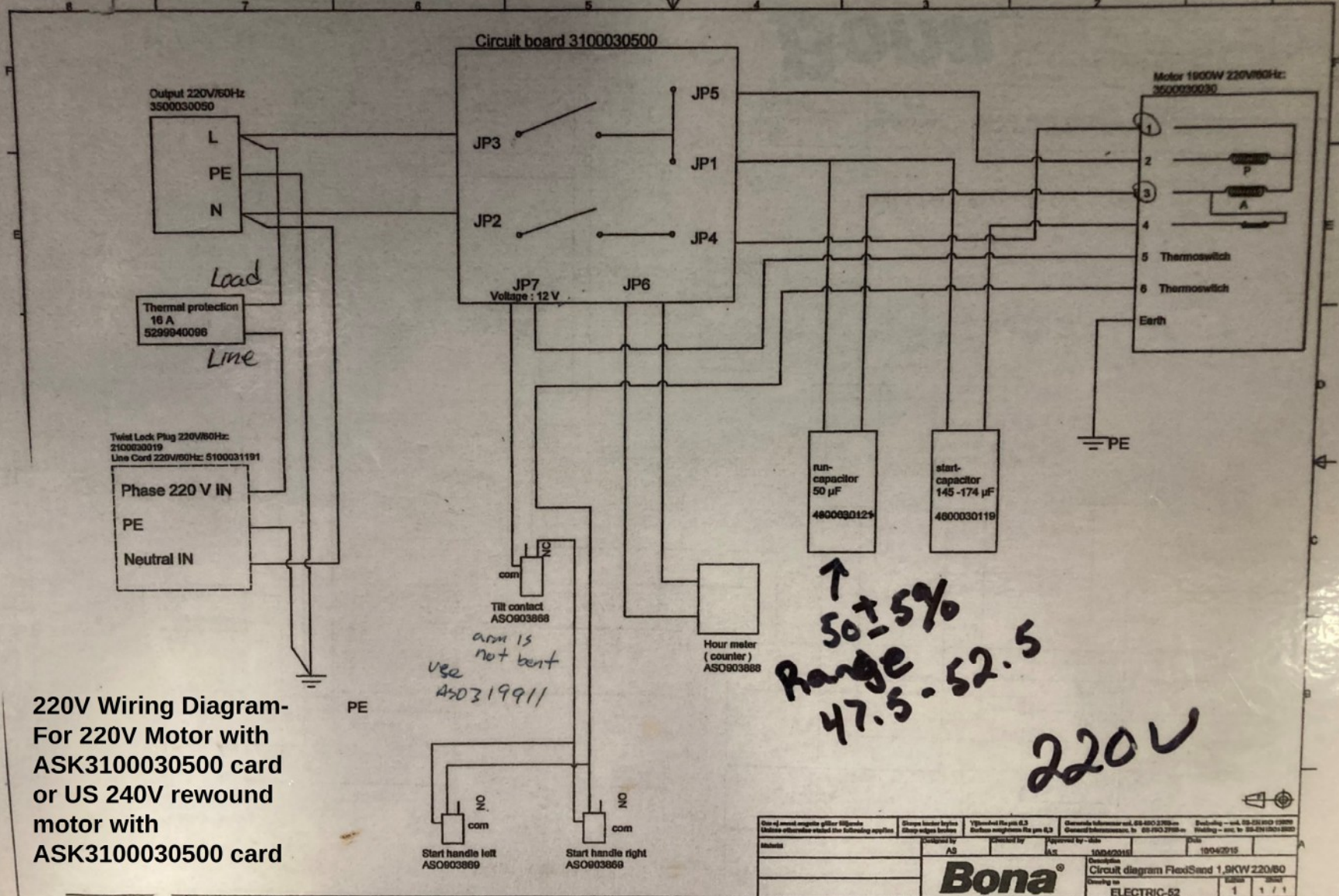
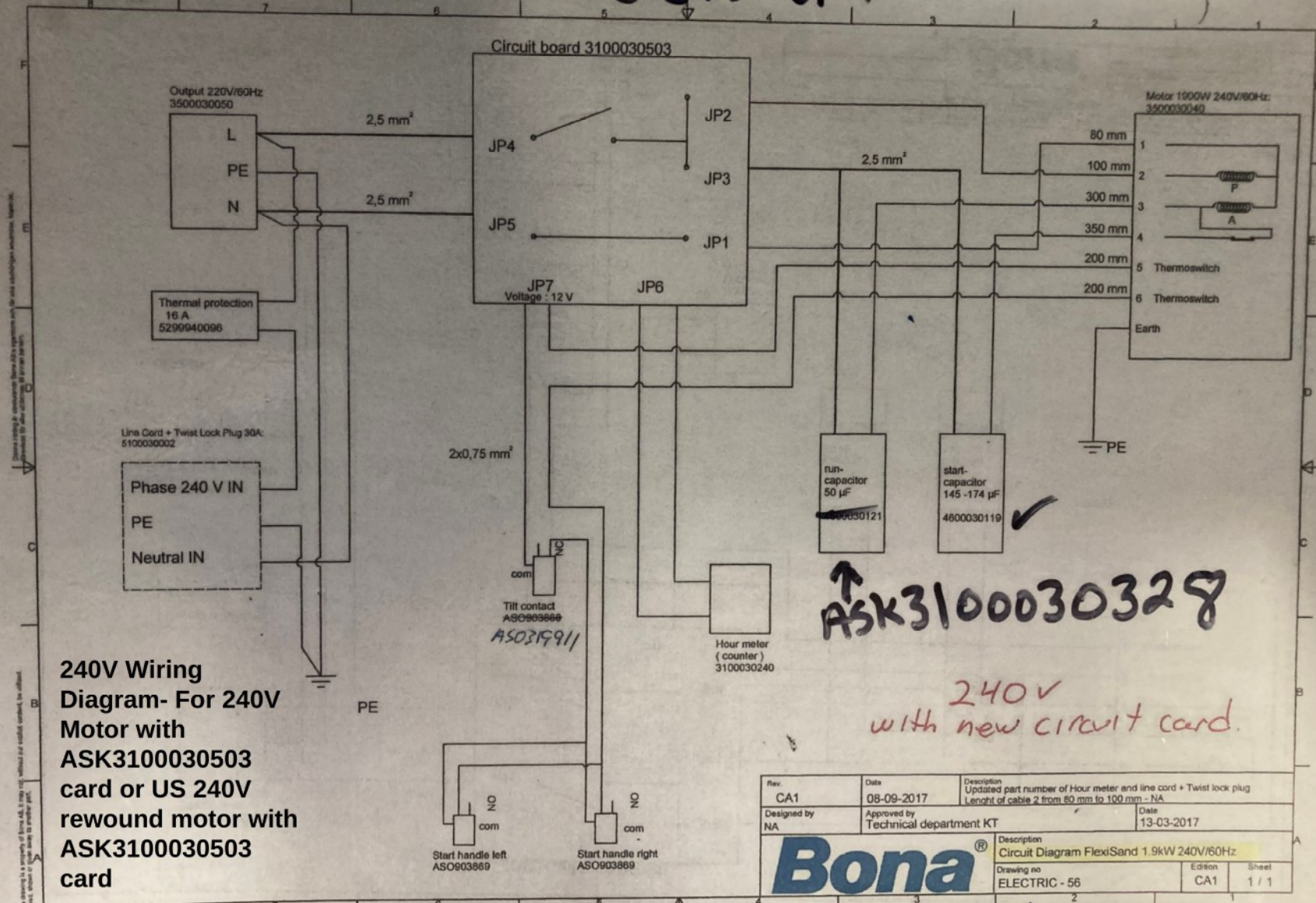


JP5 JP1 JP3 JP2 JP4 card 21



Rewound 240V motor w/ 220 card wire like this

JP5 JP1 JP3 JP2 JP4



240V Wiring Diagram- For 240V Motor with ASK3100030503 card or US 240V rewind motor with ASK3100030503 card

ASK3100030328

240V with new circuit card.

Rev. CA1	Date 08-09-2017	Description Updated part number of Hour meter and line cord + Twist lock plug Length of cable 2 from 80 mm to 100 mm - NA
Designed by NA	Approved by Technical department KT	Date 13-03-2017
		Description Circuit Diagram FlexiSand 1.9kW 240V/60Hz
Drawing no ELECTRIC - 56		Edison CA1 Sheet 1 / 1

240rewound - can use 240 card - wire like this  
Per: Bobby 12-16-19