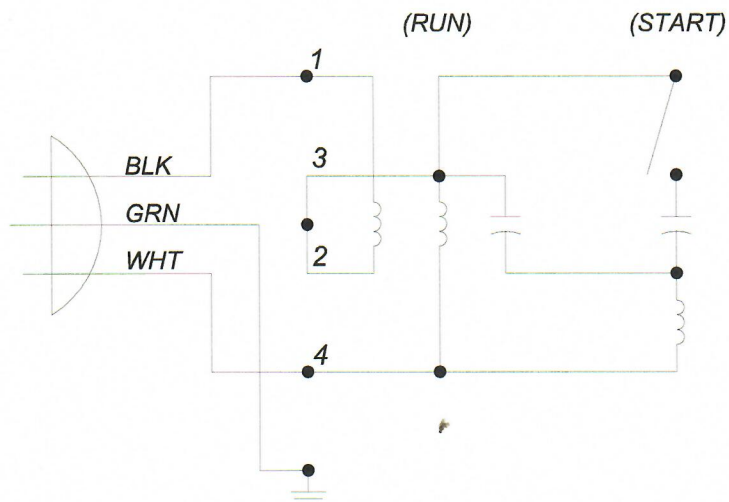
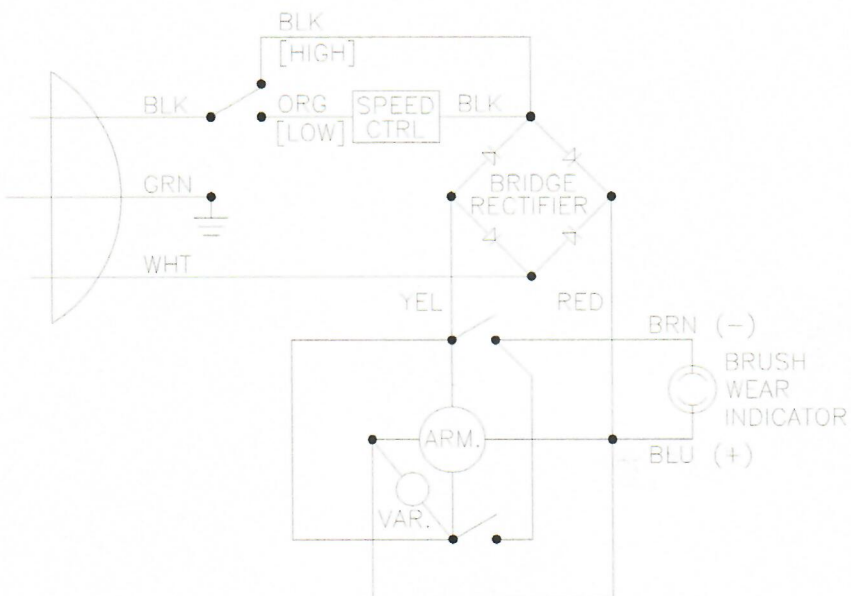


MOTOR SCHEMATICS

All 230V Models (17, 20, 17HD & 20HD) Motor Schematic



TS Motor Schematic



All 120V Models (except TS) Motor Schematic

ELECTRICAL SCHEMATIC
(120V)

