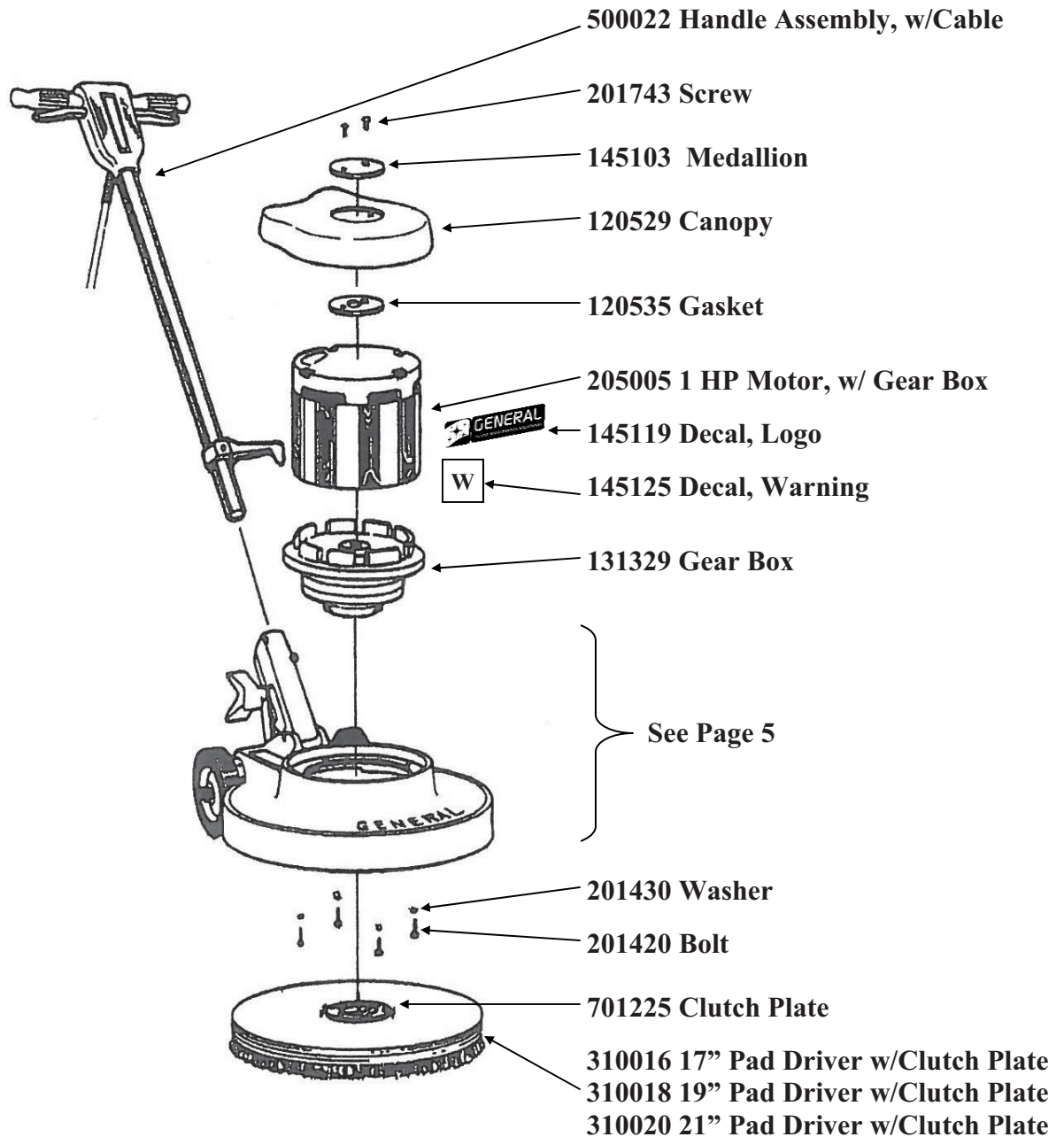


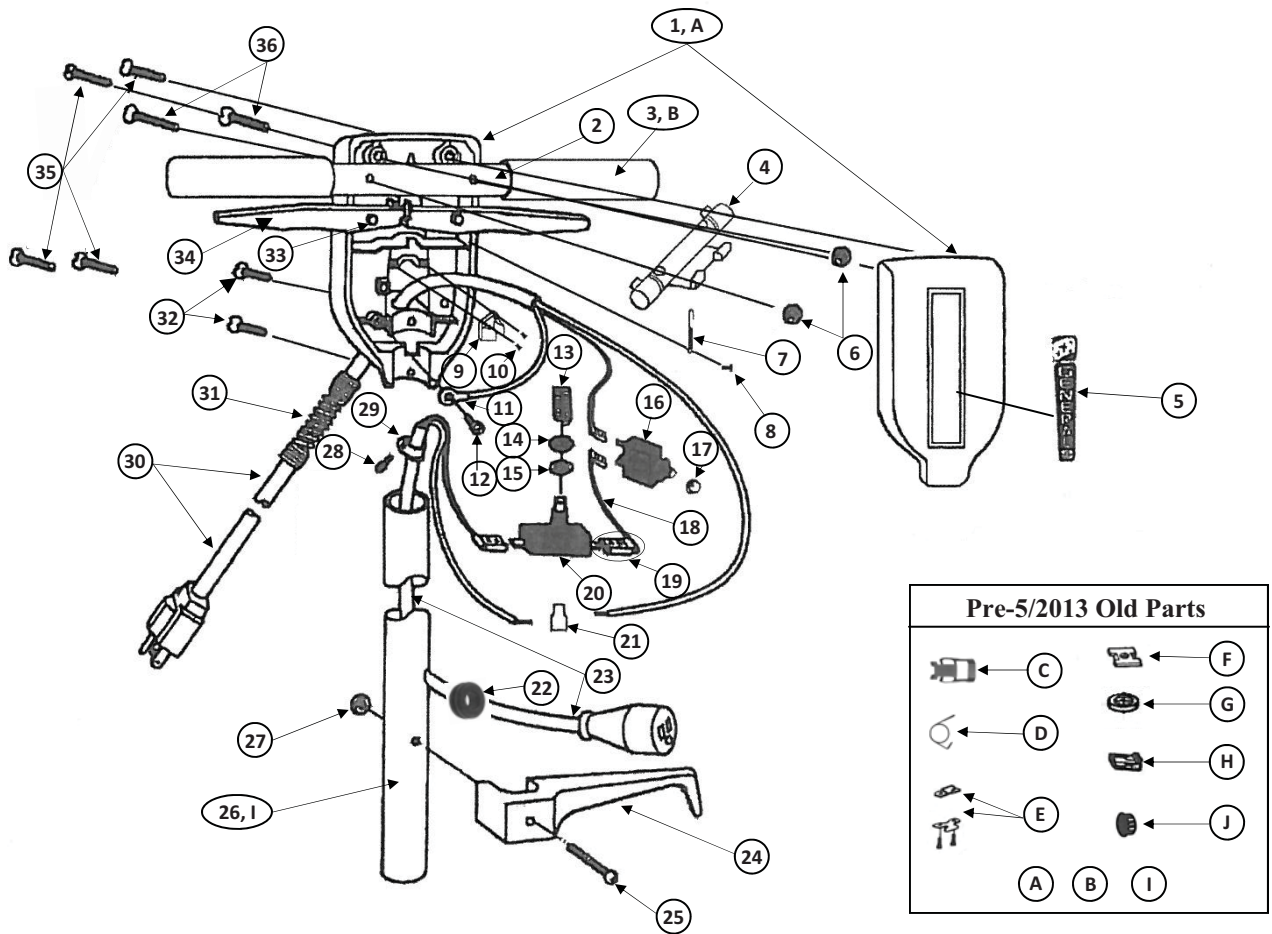
MACHINE ASSEMBLY

THIS KC-SERIES DRAWING AND PARTS LIST IS BROKEN DOWN IN SUB ASSEMBLIES FOR EASY REFERENCE. AT RIGHT ARE SHOWN ALL THE SUB ASSEMBLIES AND CERTAIN PARTS THAT ARE NOT SHOWN ON ANY OTHER DRAWINGS. WHEN ORDERING PARTS, ALWAYS USE PART NUMBERS—*DO NOT USE REFERENCE NUMBERS!* GIVE MODEL NUMBER, SERIAL NUMBER AND PART NUMBER WHEN ORDERING. THE SERIAL AND MODEL NUMBERS WILL BE FOUND STAMPED UNDERNEATHE THE APRON AROUND THE MOTOR.



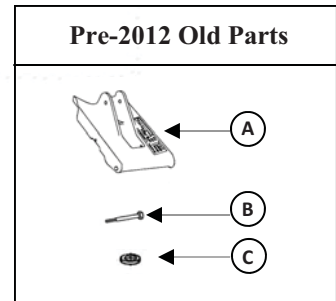
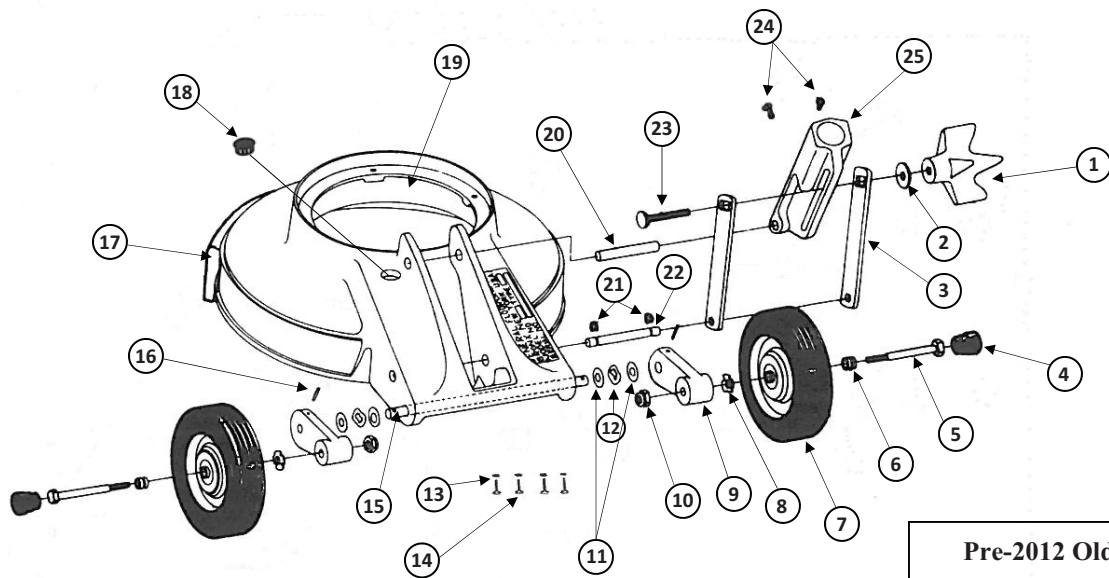
Note: Pad drivers and brushes sold separately.

HANDLE ASSEMBLY



Reference #	Part Number	Description	Required	Reference #	Part Number	Description	Required
1	501044	Switchbox, Front and Back Polished	1	25	114280	Screw, Cable Hook	1
2	501028	Handle Bar	1	26	501080	Handle Tube, Chrome, Safety Switch Box	1
3	505188	Grip, Handle Red	2	27	501054	Nut, Lock with Nylon Insert	1
4	505185	Lever, Safety Red	1	28	505804	Screw, Strain Relief	1
5	505128	Decal, Switchbox Nameplate	1	29	505146	Cable Clamp	1
6	501054	Nut, Lock with Nylon Insert	2	30	605033	Cable, Heavy Duty 50' Red	1
7	505182	Spring, Safety Switch	1	31	505110	Strain Relief, Cable Spring	1
8	201600	Screw, Spring	1	32	505412	Screw, Switchbox Handle Tube	2
9	505189	Strain Relief, Cable	1	33	501027	Pivot Pin, Lever	2
10	505190	Screw, Strain Relief Cable	2	34	501524	Lever, Switch Red	2
11	505166	Terminal, Ring Type Insulated	1	35	505118	Screw, Switchbox	4
12	201600	Screw, Ground	1	36	142800	Screw, Handle Bar	2
13	505162	Spring, Switch	1	A	500044	Switchbox, Front and Back Polished	1
14	505172	Nut, Switch brass	1	B	505004	Grip, Handle Red	2
15	505173	Washer, Switch	1	C	505174	Lever, Safety Metal	1
16	505201	Circuit Breaker	1	D	505175	Spring, Safety Switch	1
17	505204	Boot, Clear Circuit Breaker	1	E	505176	Clamp, Cable	1
18	505550	Wire, Harness Assembly Switchbox	1	F	505169	Bracket, Switch	1
19	505203	Terminal, Insulated Female Right Angle	4	G	505178	Washer, Switch Lower	1
20	505170	Switch	1	H	505161	Insulator, Cover for Terminal	2
21	505168	Crimp Connector, Insulated	1	I	501067	Handle Tube, Chromed	1
22	201227	Grommet, Rubber Handle Tube	1	J	505193	Plug, Switchbox	1
23	505160	Wire, Tube Assembly Black	1		500022	Handle Assembly, Complete w/Cable	Carton
24	501071	Cable Hook	1				

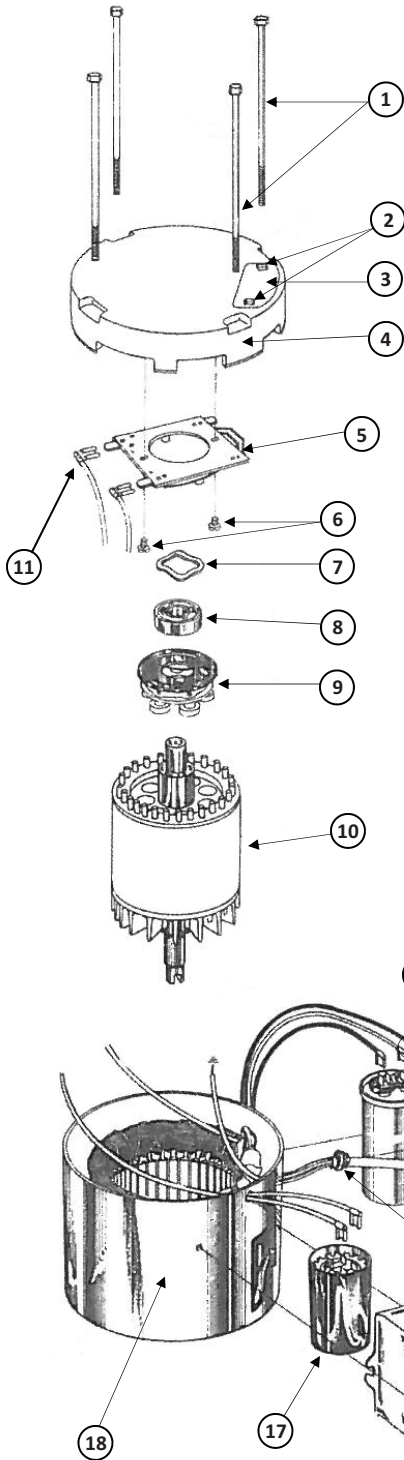
LOWER MACHINE ASSEMBLY



Reference #	Part Number	Description	Required	Reference #	Part Number	Description	Required
1	505127	Knob, Handle Adaptor Large	1	17	161504	Bumper, 17" White	1
2	505131	Washer, Handle Adaptor	1	17	181504	Bumper, 19" White	1
3	160532	Handle Adaptor Link	2	17	201504	Bumper, 21" White	1
4	125049	Tip, Rubber Wheel Axle	2	18	145050	Plug, Black Apron 5/16"	1
5	125700	Axle, Wheel	2	18	145004	Plug, Chrome Apron 7/8"	1
6	125047	Spacer, Wheel Axle	2	19	170500	Apron, 17" Polished One Piece	1
7	165516	Wheel, Non-Marking Red 6"	2	19	190509	Apron, 19" Polished One Piece	1
8	130509	Washer, Tension Wheel Axle	2	19	210506	Apron, 21" Polished One Piece	1
9	165517	Pivot Arm	2	20	160514	Pivot Pin, Handle Adaptor	1
10	125048	Nut, Wheel	2	21	160513	Snap Ring	2
11	135521	Washer, Nylon Pivot Shaft	4	22	160512	Pivot Pin, Handle Adaptor Link	1
12	135520	Washer, Tension Pivot Shaft	2	23	160533	Screw, Handle Knob Large	1
13	201430	Washer, Motor Mounting	4	24	101510	Screw, Set Handle Adaptor	2
14	201420	Bolt, Motor Mounting 17"	4	25	160530	Handle Adaptor, KC Series	1
14	201550	Bolt, Motor Mounting 19" & 21"	4	A	180510	Carriage, Polished	1
15	165518	Pivot Shaft, Wheel	1	B	201462	Bolt, Carriage	4
16	135517	Pin, Pivot Shaft	2	C	201415	Washer, Carriage Assembly	4

1 HP MOTOR ASSEMBLY

IMPERIAL ELECTRIC MOTOR ONLY



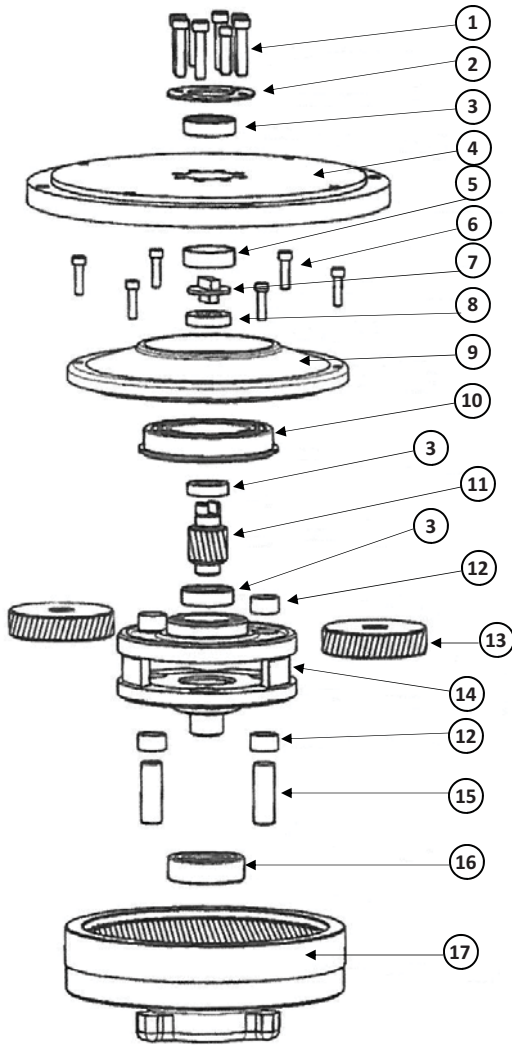
Reference #	Part Number	Description	Required
1	301347	Bolt, Thru	4
2	135406	Screw, Access Cover	2
3	135412	Cover, Wire Connection Access Cover	1
4	135488	Top End Bell	1
5	135496	Switch, Stationary	1
6	135406	Screw, Stationary Switch	2
7	135473	Washer, Tension	1
8	135114	Ball Bearing	1
9	135481	Switch, Centrifugal	1
10	135463	Rotor Assembly with Shaft	1
11	505203	Terminal, Insulated Female Right Angle	7
12	135479	Cover, Capacitor	2
13	135600	Screw, Capacitor Cover	4
14	135636	Motor Lead	1
15	135491	Capacitor, Run	1
16	135625	Strain Relief, Motor	1
17	135492	Capacitor, Start	1
18	135515	Frame and Field Assembly, Chrome	1
	205005	Motor, AC 1 HP with Gear Box	Box

INNOVATIVE CLEANING EQUIPMENT.....ENGINEERED TO LAST

GEARBOX ASSEMBLY

2 PLANET GEARBOX

IMPERIAL ELECTRIC MOTOR ONLY.



Reference #	Part Number	Description	Required
1	135459	Screw, Cap	6
2	135458	Retainer Plate	1
3	135452	Ball Bearing	3
4	135401	End Shield	1
5	135456	Spacer	1
6	135451	Screw, Housing Cover	6
7	135373	Coupling	1
8	135460	Retainer Shaft	1
9	135444	Gear Box Cover	1
10	135455	Ball Bearing with Span Ring	1
11	135485	Helical Pinion	1
12	135453	Needle Bearing	4
13	135448	Helical Gear	2
14	135486	Planet Cage, 2 Planet	1
15	135339	Idler Shaft	2
16	135454	Ball Bearing	1
17	135450	Gear Box Housing	1
	131329	Gear Box Assembly, 2 Planet Complete	Box

INNOVATIVE CLEANING EQUIPMENT.....ENGINEERED TO LAST