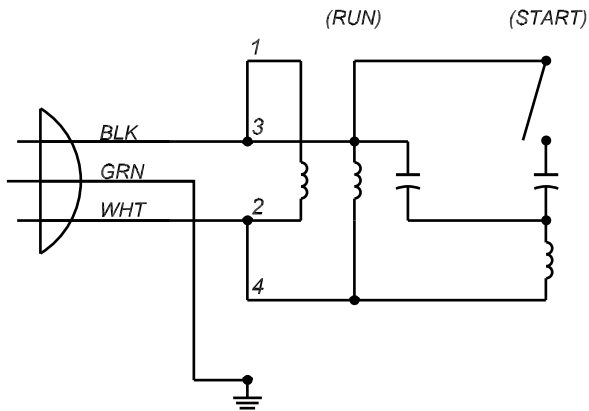
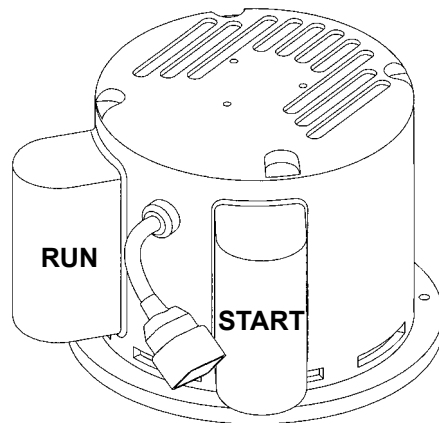
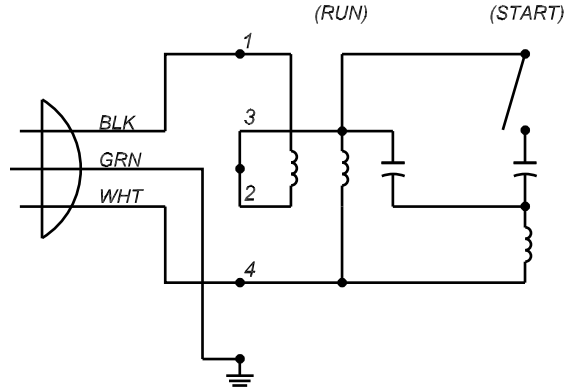


RS-16, RS-16 DC
Motor Assembly Drawing, Parts List and Schematics 3/08

ELECTRICAL SCHEMATIC
(120V)



ELECTRICAL SCHEMATIC
(230V)



VOLTS / Hz	MOTOR PART	R	1
	Part	Description	Qty
	53193A	Rotor, 1.5HP, 60Hz	1
	40694A	Capacitor, Start	1
	53191A	Capacitor, Run	1
	53189A	Stator, 1.5HP, 60Hz	1
	53360A	Cover, Capacitor Right	2
	40699A	Cover, Wiring	1
	53190A	Switch, Start	1
	53195A	Centrifugal 4-Pole 60Hz	1
	70787A	La , Connection	1
	85303A	Screw, 8-32	11
	902550	Bearing, Ball-6203	1
	53848A	Plate, Mounting	1
	80141A	Screw, 10-32	6
	911177	Wire Nut - Orange	2
	40698A	End	1
	41053A	Cord, IEC	1
	747553	Strain Relief	1