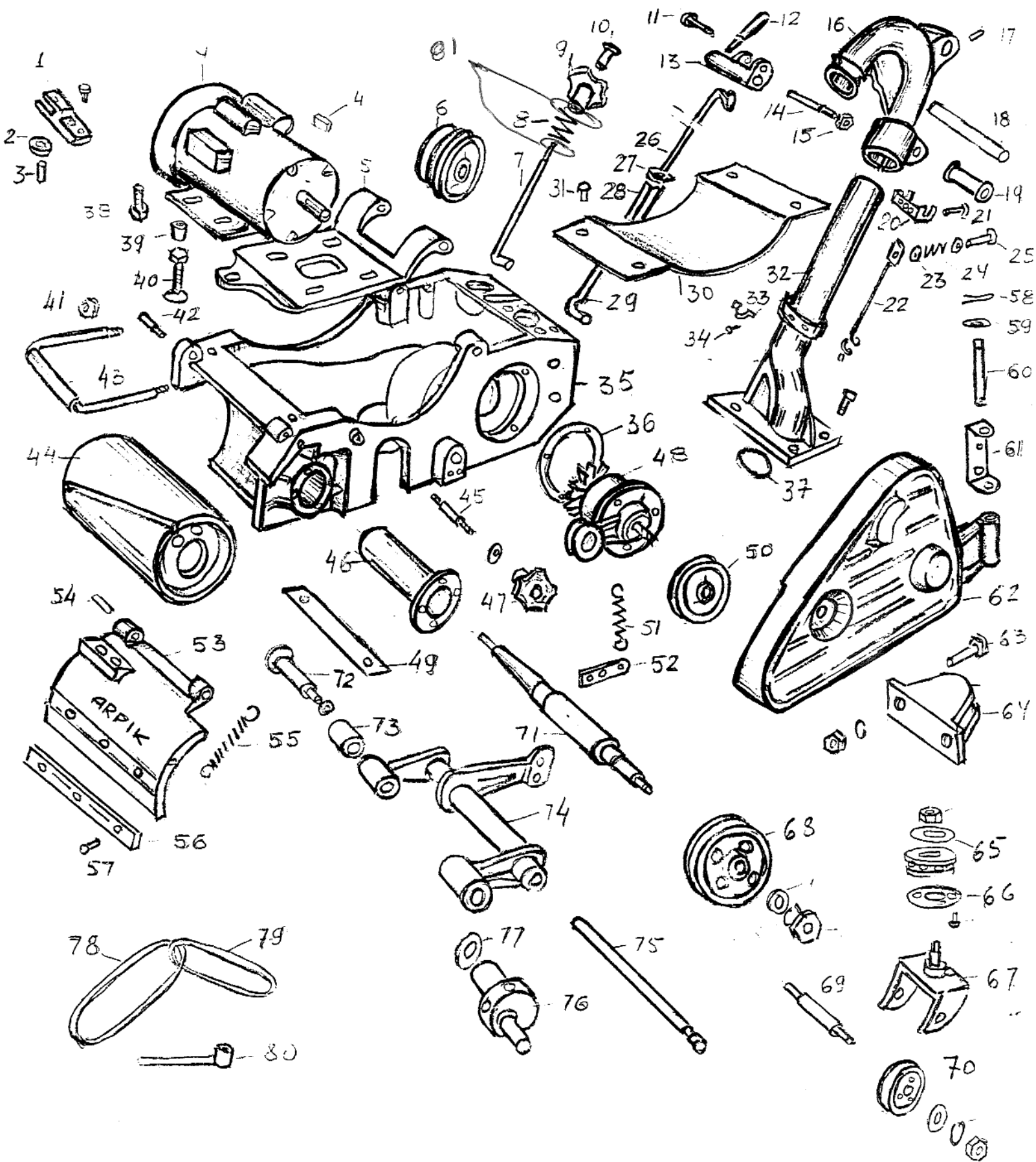


SPECIFICATION AND PRICE LIST

IL #	PART #	DISCRIBTION	PRICE	IL #	PART #	DISCRIBTION	PRICE
1	AR01	Handle	12.00	41	AR41	Screw	0.30
2	AR02	Roller	2.20	42	AR42	Axle	1.00
3	AR03	Axle	2.50	43	AR43	Handle	7.00
4	AR04	Key	1.00	44	AR40	Drum (complete)	290.00
5	AR05	Platform	210.00	45	AR45	Pin	2.00
6	AR06	Motor Pulley	63.00	46	AR46	Housing	50.00
7	AR07	Rod	15.00	47	AR47	Lock Ring	13.00
8	AR08	Spring	4.50	48	AR48	Fun (complete)	250.00
9	AR09	Lock Ring	15.00	49	AR49	Bumper	12.00
10	AR10	Cap	1.00	50	AR50	Fun Pulley	32.00
11	AR11	Axle	5.00	51	AR51	Spring	1.50
12	AR12	Handle	3.50	52	AR52	Clip	3.00
13	AR13	Lever	7.50	53	AR53	Drum Cover	40.00
14	AR14	Axle	2.30	54	AR54	Screw	1.00
15	AR15	Nut & Washer	1.00	55	AR55	Spring	2.00
16	AR16	Pipe up	160.00	56	AR56	Stripe (rubber)	5.00
17	AR17	Screw	0.50	57	AR57	Screw	0.30
18	AR18	Tube	6.00	58	AR58	Lock	0.20
19	AR19	Cover (rubber)	4.50	59	AR59	Washer	0.30
20	AR20	Fork	3.00	60	AR60	Axle	3.50
21	AR21	Screw	0.50	61	AR61	Cramp	6.50
22	AR22	Cable Arm	7.50	62	AR62	Belt Guard	165.00
23	AR23	Washer	0.30	63	AR63	Screw	1.00
24	AR24	Spring	1.00	64	AR64	Support	21.00
25	AR25	Screw	0.50	65	AR65	Retainer	1.50
26	AR26	Rod up	8.00	66	AR66	Lid	3.50
27	AR27	Screw	0.50	67	AR67	Yoke	28.00
28	AR28	Screw long	3.00	68	AR68	Drum Pulley	32.00
29	AR29	Rod down	4.50	69	AR69	Axle	4.50
30	AR30	Screen	42.00	70	AR70	Wheel (complete)	17.00
31	AR31	Screw	0.50	71	AR71	Drum Shaft	43.50
32	AR32	Rod down	185.00	72	AR72	Axle	12.00
33	AR33	Cramp	1.00	73	AR73	Spacer	3.00
34	AR34	Screw	0.30	74	AR74	Wheel Truck	130.00
35	AR35	Main Frame	980.00	75	AR75	Control Shaft	9.50
36	AR36	Gasket	1.50	76	AR76	Eccentrik	23.50
37	AR37	Gascet (rubber)	3.00	77	AR77	Gasket	1.00
38	AR38	Screw & Washer	1.00	78	AR78	Drum Belt (4L410)	8.00
39	AR39	Cover (rubber)	0.50	79	AR79	Fun Belt (3L320)	7.00
40	AR40	Screw Stretch	1.50	80	AR80	Key	10.00

Arpik



Arpik

"ARPIK united Co."

SPECIFICATION AND PRICE LIST

(Assembly of the Fan AR48)

<u>IL #</u>	<u>PART #</u>	<u>DISCRIBTION</u>	<u>PRICE</u>
48-1	AR48-1	Nut & Washer	1.00
48-2	AR48-2	Fan	59.00
48-3	AR48-3	Key	1.00
48-4	AR48-4	Bearing	3.50
48-5	AR48-5	Spacer	2.50
48-6	AR48-6	Fan Hausing	90.00
48-7	AR48-7	Key	1.00
48-8	AR48-8	Cover Closed	1.00
48-9	AR48-9	Fan Shaft	25.00
48-10	AR48-10	Fan Pulley	30.00
48-11	AR48-11	Nut & Washer	1.00
48-12	AR48-12	Nut & Washer	0.50
48-13	AR48-13	Arm	14.00
48-14	AR48-14	Bearing	3.00
48-15	AR48-15	Idler Pulley	12.00
48-16	AR48-16	Axle	5.00
48-17	AR48-17	Cap	0.50

Arpik

