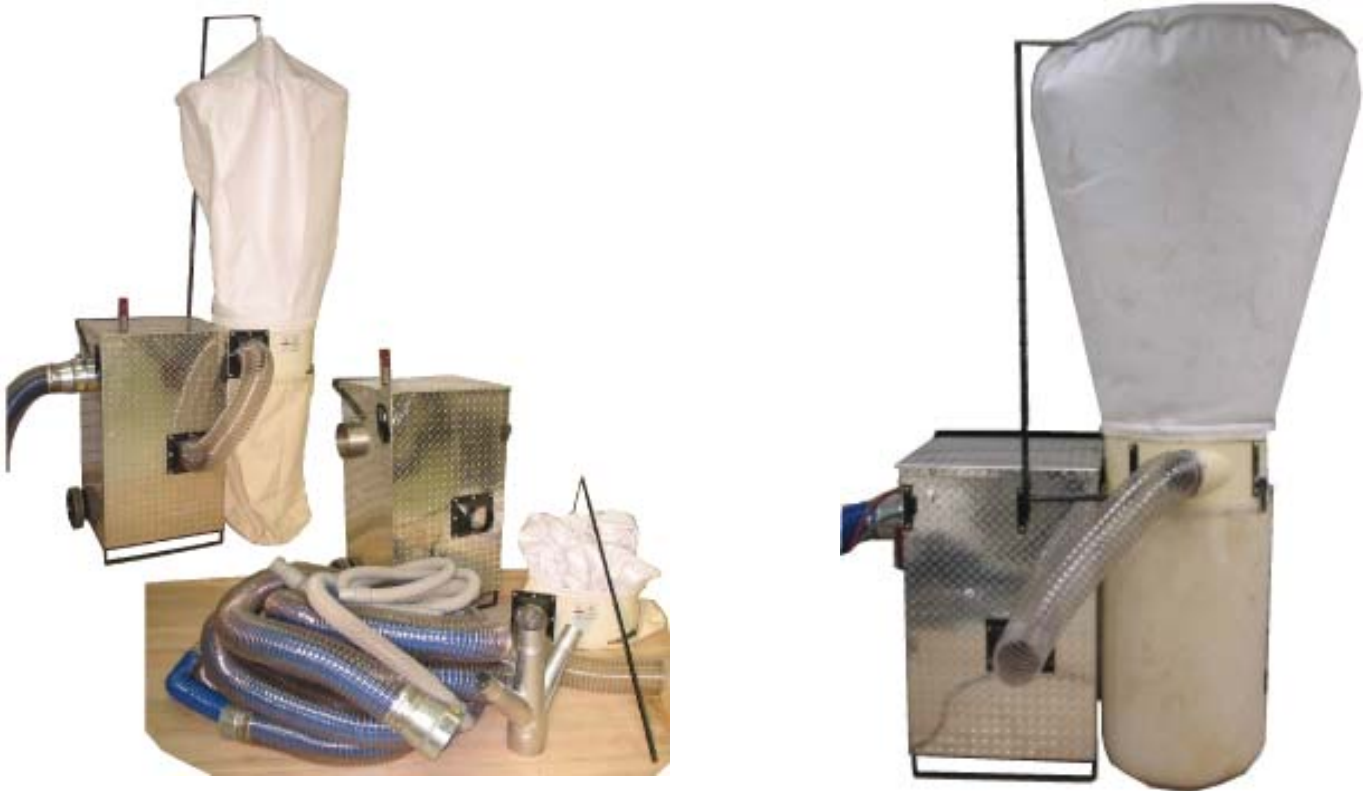


US Sander LLC

DS01 DUST COLLECTION SYSTEM

For Floor Sanding



Operates a sander and either an edger or a buffer

Blower system 2- 2 HP blowers (220 volt) or 2- 1.5 Hp (110Volt)

Remote on - off control

3 dust bags, 75 ft cable, weather cover - storage bag, 50 ft of 5" hose, a wye adapter for the 50 ft of both 3" and 2" hose, a 1.5" to 2" adapter that connects the 1.5" hose to the 2" hose for use with a buffer, adapters to connect a sander and edger.

Operator's Manual

LIBRO DE INSTRUCCIONES

MANUEL D'UTILISATION

READ THIS BOOK

CAUTION: Read the Operator's Manual before using the Dust Collection System.

This book has important information for the use and safe operation of this machine. Failure to read this book prior to operating or attempting any service or maintenance procedure to your US Sander's Dust Collection System could result in injury to you or to other personnel; damage to the machine or to other property could occur as well. You must have training in the operation of this machine before using it. If your operator cannot read English, have this manual explained fully before attempting to operate this machine.

Si Ud. o sus operadores no pueden leer el Inglés, se hagan explicar este manual completamente antes de tratar el manejo o servicio de esta máquina.

LISEZ CE MANUEL

ATTENTION: Lire le manuel d'utilisation avant de faire fonctionner l'appareil.

Il contient des informations importantes pour une utilisation correcte de la machine, en toute sécurité. Lisez-le complètement avant de mettre la machine en marche ou d'effectuer un entretien. A défaut, vous risqueriez de vous blesser ou de blesser d'autres membres du personnel, d'endommager sérieusement la machine ou de provoquer des dégâts dans son environnement. Avant de se servir de la machine, il est indispensable d'avoir reçu une formation. Si vous-même (ou l'opérateur) ne parlez pas français, veuillez demander (ou lui fournir) toutes les explications nécessaires. Des versions du manuel existent en d'autres langues.

Toutes les indications de direction figurant dans ce manuel sont visualisées depuis la position du conducteur, à l'arrière de la machine.

CUIDADO: Lea el Libro de Instrucciones antes de usar este aparato.

Contiene información importante para el uso y funcionamiento correcto y seguro de la máquina.

Lea este libro completamente antes de arrancar la máquina o hacer cualquier operación de mantenimiento. Si no sigue las instrucciones, corre el peligro de herirse o causar lesiones al personal, o causar daños importantes a la máquina o a su entorno. Antes de usar la máquina, es indispensable seguir una formación. Si Usted (o el operador) no habla español, solicite (o proporcionele) todas las informaciones necesarias. El libro está traducido en otros idiomas.

Todas las indicaciones de dirección dadas en este libro están dadas desde la posición del operador en la parte de atrás de la máquina.

SPECIAL NOTE!! PERFORMANCE DEGRADED!
EVERY HOUR SHUT OFF DUST SYSTEM AND SHAKE TOP BREATHER BAG.
FINE DUST BUILDS UP INSIDE TOP BAG REDUCING DUST COLLECTION.
SHAKE TOP BAG WHILE STILL INSTALLED ON MACHINE.

WARRANTY AND RETURNS

US Sander LLC warrants The DS01 Dust Collection System to be free of defects from workmanship and materials for a period of 1 year from the date of original purchase by the original owner. This warranty is extended only to the original purchaser for use of the product. It does not cover normal wear parts such as electrical cable or hoses or remote control. Warranty will be null and void if any parts used are not provided by US Sander LLC. Use of unauthorized or non original equipment parts may create a hazard or danger leading to fire, injury, death, or property damage and will void warranty.

This warranty does not apply to defects due directly or indirectly to misuse, abuse, negligence or accidents, lack of maintenance, or to repair or alterations made or specifically authorized by anyone other than US Sander LLC.

US Sander LLC will repair or replace, at its option, the dust collection system or machine part which in normal use has proven to be defective, provided that the original owner returns the product prepaid to the US Sander factory service center or authorized repair facility designated by our Esperance, NY office, with proof of their purchase of the product within 1 year, and provides US Sander LLC, Inc. reasonable opportunity to verify the alleged defect through inspection. If it is determined there is no defect, or that the defect resulted from causes not within the scope of US Sander LLC's warranty, then the original owner must bear the cost of storing and returning the product. This is US Sander LLC's sole written warranty and any and all warranties that may be implied by law, including any merchantability or fitness, for any particular purpose, are hereby limited to the duration of this written warranty. We do not warrant that the machinery complies with the provisions of any law or acts. In no event shall US Sander LLC's liability under this warranty exceed the purchase price paid for the product, and any legal actions brought against US Sander LLC shall be tried in the State of New York, County of Schoharie. We shall in no event be liable for death, injuries to persons or property or for incidental, contingent, special or consequential damages arising from the use of our products. We reserve the right to change specifications at any time because of our commitment to continuously improve the quality of our products. Warranty does not cover system function because the system may not function correctly when connected to more than 2 machines, using the triple wye. Extending the hose lengths may also decrease performance and will not be warranted.

MACHINE SPECIFICATIONS

Motor Size.....	2 of 2 HP (110 volt) or 2 of 1.5 Hp (110 Volt)
Voltage	220 Volts @ 16 amps or 2 110v 14 amp lines
Phase	Single Phase
Motor R.P.M.	3450
Suction Cap.....	Approx. OVER 1600 CFM
Bag Size	19" x 33" 39 gallons approx.

System may come with either a double wye or triple wye. Machine is designed to use a double wye. Using 3 ports on triple wye will decrease performance.

SAFETY FIRST!

READ MANUAL BEFORE OPERATING MACHINE

FAILURE TO FOLLOW INSTRUCTIONS BELOW WILL RESULT IN PERSONAL INJURY

WARNING!

NEVER LEAVE DUST BAG UNATTENDED WITH DUST

INSIDE THE BAG! A FIRE CAN START! DUST CAN BE EXPLOSIVE.



-Indicates an imminently hazardous situation which, if not avoided, WILL result in death or serious injury.



-Indicates a potentially hazardous situation which, if not avoided, COULD result in death or serious injury.



-Indicates a potentially hazardous situation which, if not avoided, MAY result in minor or moderate injury. It may also be used to alert against unsafe practices.

NOTICE

-This symbol is used to alert the user to useful information about proper operation of the equipment.



Never leave dust bag unattended with sanding dust in it. Sanding dust can spontaneously ignite and cause a fire or explosion. Empty dust bag into a metal container, clear of any combustibles. Do not empty content into a fire. Do not overfill dust bag.

1. **Thoroughly read the instruction manual before operating your machine.** Learn the applications, limitations and potential hazards of this machine. Keep manual in a safe, convenient place for future reference. **INFORM OTHER PERSONS AND EMPLOYEES ABOUT MANUAL**
2. **Keep work area clean and well lighted.** Clutter and inadequate lighting invite potential hazards.
3. **Ground all tools.** If a machine is equipped with a three-prong plug, it must be plugged into a threehole electrical outlet or grounded extension cord. If using an adapter to aid in accommodating a twohole receptacle, ground using a screw to a known ground.
4. **Wear eye protection at all times.** Use safety glasses with side shields or safety goggles, meeting the national safety standards, while operating this machine.
5. **Avoid dangerous environments.** Do not operate this machine in wet or open flame environments. Airborne dust particles could cause an explosion and severe fire hazard.
6. **Ensure all guards are securely in place** and in working condition.
7. **Make sure switch is in the “OFF” position** before connecting power to machine.
8. **Keep work area clean;** free of clutter, grease, etc.
9. **Keep children and visitors away.** All visitors should be kept a safe distance away while operating unit.
10. **Childproof workshop** with padlocks, master switches or by removing starter keys.
11. **Disconnect machine when cleaning, adjusting or servicing.**
12. **Do not force tool.** The machine will do a safer and better job at the rate for which it was designed.
13. **Use correct tool.** Do not force machine or attachment to do a job for which it was not designed.
14. **Wear proper apparel.** Do not wear loose clothing, neck ties, gloves, jewelry, etc.
15. **Remove adjusting keys and wrenches.** Before turning the machine on, make it a habit to check that all adjusting keys and wrenches have been removed.
16. **Use proper extension cord.** When using an extension cord, make sure it is in good condition. When extension cord is 100' and less in length, use those that are rated Hard Service (grade S) or better, and that have a conductor size of 10 A.W.G. A drop in line voltage, loss of power and overheating can result when using an undersized cord. The extension cord should have a ground wire and ground plug pin, as well.
17. **Keep proper footing and balance** at all times.
18. **Do not leave machine unattended.** Wait until it comes to a complete stop before leaving the area. **EMPTY DUST BAGS IN PROPER FIRESAFE CONTAINER !**
19. **Perform machine maintenance and care.** Follow lubrication and accessory attachment instructions in the manual.
20. **Keep machine away from open flame.** Operating machines near pilot lights and/or open flames creates a high risk if dust is dispersed in the area. Dust particles and an ignition source may cause an explosion. Do not operate the machine in high risk areas, including but not limited to, those mentioned above.
21. Ground wire on all plastic hoses, fittings and blast gates to all machines to help reduce the occurrence of static induced fire or explosion..
22. **BLOWER MUST BE LOCATED IN AN OUTSIDE ENVIRONMENT . A SHELTERED AREA WOULD BE GOOD BUT THE WEATHER COVER PROVIDES COVER FOR BAGS AND ELECTRONICS.**
23. **Do not operate** in rain or wet conditions. The weather cover will provide protection for blower and electronics.

Additional Safety Instructions For Dust Collector

1. **Do not use dust collector for anything except wood dust.** Materials such as liquids, metal shavings, metal dust, screws, glass, plastic or rock can cause sparks when coming into contact with any part of the collection system.
2. **Ground your dust collector along all plastic components.** The connection of bare 12 ga. copper will help prevent static build up and discharge.
3. **Do not place your hands, lumber or tools near inlet opening while machine is running or connected to power.**
4. **Always wear a respirator and safety glasses when removing, emptying or replacing collection bags.** Secure bags tightly to dust collector to avoid bags from “blowing off”.
5. **Be aware that certain woods may cause an allergic reaction** in people and animals, especially when exposed to fine dust. Make sure you know what type of wood dust you will be exposed to, the possibility of a allergic reaction and always wear an approved respirator.
6. **If at any time you are experiencing difficulties performing the intended operation, stop** using the machine! Then contact our service department or ask a qualified expert how the operation should be performed.
7. **Never use tools that are in poor condition.** Inspect dust collector for bent fins, dents, ripped bags and unusual sounds before connecting machine to power and operating. Correct any problems before use.
8. **Never allow steel to come into contact with impeller.** Impact with any hard material may result in sparks which may cause fire. Be mindful of any situation that results in a risk of fire.
9. **Habits – good and bad – are hard to break.** Develop good habits in your shop and safety will become second-nature to you.

Voltage

220V and 110V System Operation

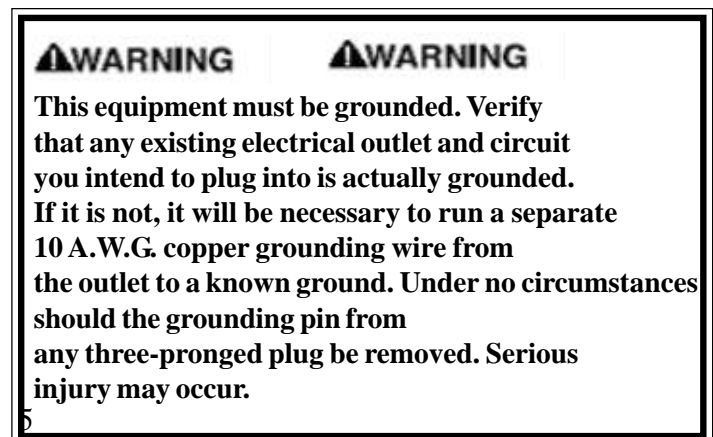
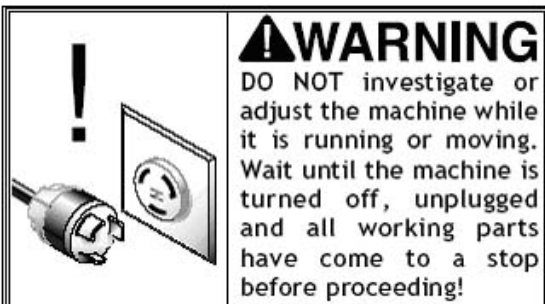
ELECTRICAL REQUIREMENTS

The system can be ordered in either 220 volt or 110volt configuration.

The 220 volt system uses 1 cable and you should use a plug and outlet rated at least 30 amps. The 220v circuit for this machine should also be protected by a 30 amp circuit breaker or fuse.

The 110 volt system uses 2 cables that plug into standard 110volt outlets. Each cable should be plugged into an outlet that is on its own circuit breaker or fuse. No other electrical load should be on these outlets otherwise the circiut protection may shut down the circuit.

Keep in mind that a circuit being used by other machines or tools at the same time will add to the electrical load being applied by the Dust Collector. Add up the load ratings of all machines on the circuit. If this number exceeds the rating of the circuit breaker or fuse, use a different outlet.



Grounding

This machine must be grounded! See **Figure 1**. The electrical cord supplied with the DS01 does come with a plug. Use a connector with a ground pin. If your outlet does not accommodate a ground pin, have it replaced by a qualified electrician or have an appropriate adapter installed and grounded properly. An adapter with a grounding wire does not guarantee machine will be grounded. Ground source must be verified. The US Sander Dust Collector can be operated at 220 volts.

Extension Cords

When it is necessary to use an extension cord, use the following guidelines:

- Use cords rated for **Hard Service (grade S)** or better
- Never exceed a **TOTAL EXTENDED length of 100 feet**
- Use cords with **10 ga. wire or bigger**
- Insure cord has a **ground wire and pin**
- Do not use cords in need of repair

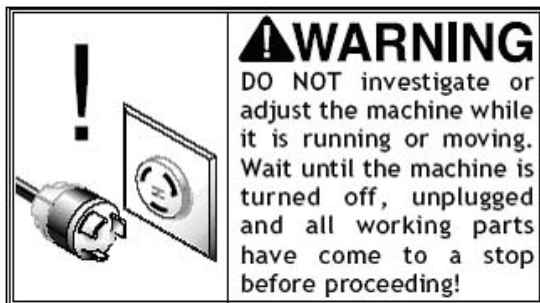
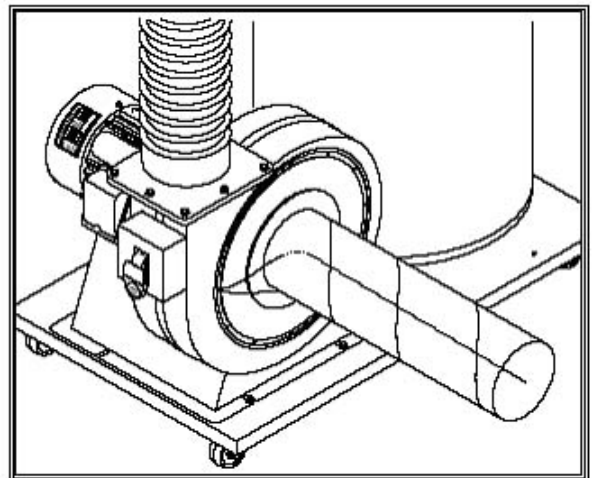
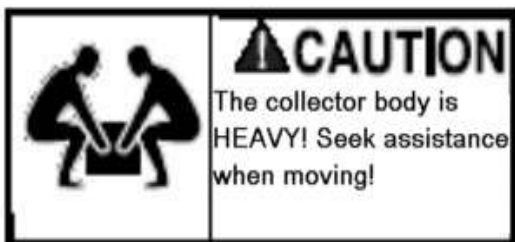


Figure 1



Keep hoses to blower grounded for static dissipation



AVOIDING POTENTIAL INJURIES

DO NOT COLLECT ANYTHING
EXCEPT WOOD DUST

Figure 2. Never collect anything except wood dust.



Figure 3. Keep hands and loose objects away.



Fig. 4. Turn Off Main breaker at blower and at main panel when not in use.



Figure 5. Unplug machine when changing bags.

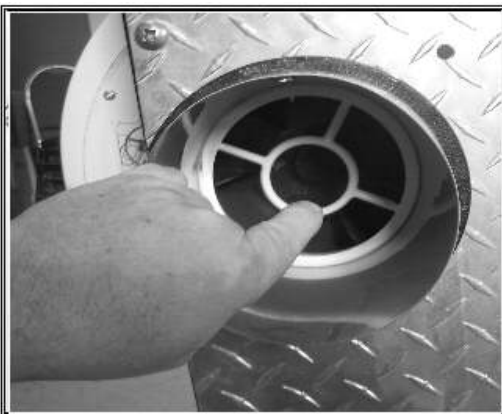


Figure 6. Do Not remove impeller guard.



Figure 7. Wear a respirator when changing bags.

⚠ DANGER : Failure to read the Owner's Manual prior to operating or attempting any service or maintenance procedure to your Dust collection system could result in injury to you or to other personnel; damage to the machine or to other property could occur as well. You must have training in the operation of this machine before using it. **If you cannot read English, have this manual explained fully before attempting to operate this machine.**

⚠ DANGER : Sanding/finishing wood floors can create an environment that can be explosive. The following safety procedures must be adhered to:

- Cigarette lighters, pilot lights and any other source of ignition can create an explosion when active during a sanding session. All sources of ignition should be extinguished or removed entirely if possible from the work area.
- Work areas that are poorly ventilated can create an explosive environment when certain combustible materials are in the atmosphere, i.e., solvents, thinners, alcohol, fuels, certain finishes, wood dust and other combustible materials. Floor sanding machines can cause flammable material and vapors to burn. Read the manufacturer's label on all chemicals used to determine combustibility. Keep the work area well ventilated.
- Spontaneous combustion or an explosion can occur when working with sanding dust. The sanding dust can ignite and cause injury or damage. Sanding dust should be disposed of properly. Always empty the sanding dust into a metal container that is located outside of any building(s).
- Remove the contents of the dust bag when the bag is 2/3 full. Remove the contents of the dust bag each time you finish using the machine. Never leave a dust bag unattended with sanding dust in it.
- Do not empty the contents of the dust bag into a fire.
- Hitting a nail while sanding can cause sparks and create an explosion or fire. Always use a hammer and punch to countersink all nails before sanding floors.

⚠ DANGER Operating a machine that is not completely or fully assembled could result in injury or property damage. Do not operate this machine until it is completely assembled. Keep all fasteners tight. Keep adjustments according to machine specifications.

⚠ DANGER Use of unauthorized or non original equipment parts may create a hazard or danger leading to fire, injury, death, or property damage and void warranty.

DANGER: Electrocutation could occur if the machine is used on a power circuit that repeatedly trips or is undersized. Have a licensed electrician check the fuse, circuit breaker or power supply.

DANGER: Electrocutation could occur if maintenance and repairs are performed on a unit that is not properly disconnected from the power source. Disconnect the power supply before attempting any maintenance or service.

DANGER: Electrocutation could occur if machine is used on ungrounded electrical circuit. Never remove or disable the grounding supply conductor on the electrical cord. Consult an electrician if the grounding conductor is missing or if you suspect your circuit is not grounded properly.

DANGER: Use of this machine with a damaged power cord could result in an electrical shock. Do not use the machine if the power cord is damaged. Do not use the electrical cord to move the machine.

DANGER: Electrocutation or injury could occur if the power cord is run over or damaged by the sander. Keep the cord free from under the machine to avoid contact with the sandpaper. Always lift the power cord over the machine. Keep sander cords and sanders properly grounded.

DANGER: Moving parts of this machine can cause serious injury and/or damage. Keep hands, feet and loose clothing away from all moving parts of the sander. Disconnect machine from the power source before changing the abrasive, emptying the dust bag, or performing any maintenance. Do not operate unless all covers and guards are in place. Never leave machine unattended while motor is running or connected to power source.

⚠ WARNING

WARNING: Failure to read and observe all safety statements found on your machine or in this Owner's Manual can result in serious injury or damage. Read and observe all safety statements. Make sure that all labels, decals, warnings, cautions, and instructions are fastened to the machine. Get new labels from your authorized US Sander distributor.

WARNING: Sanding dust can be airborne and can be breathed in while operating a sander. Always wear a dust mask while operating sanding equipment.

WARNING: Injury to the eyes and/or body can occur if protective clothing and/or equipment is not worn while sanding. Always wear safety goggles, protective clothing, and a dust mask while performing any sanding operation.

WARNING: Bodily injury could occur if power is applied to the machine with the power switch already in the "ON" position. Always check to assure that the power switch is in the "OFF" position before applying power to the power cable.

WARNING: Any alterations or modifications of this machine could result in damage to the machine or injury to the operator or other bystanders. Alterations or modifications not authorized by the manufacturer voids any and all warranties and liabilities.

WARNING!; Do not put any object into openings. Do not use with any opening blocked; keep free of dust, lint, hair and anything that may reduce air flow.

WARNING!; Keep hair, loose clothing, fingers, and all parts of body away from openings and moving parts.

WARNING!;The following materials must not be picked up with the machine: Hot materials (glowing cigarettes, hot ashes, etc.); Inflammable, explosive or aggressive fluids (e.g. gasoline, solvents, acids, alkalines, etc.); Inflammable, explosive dusts (e.g. magnesium or aluminum dust, etc.).

WARNING!; Do not use without dust bag and/or filters in place. Use the machine only with an undamaged filter element.

WARNING!; Never spray the top section of the machine with water. Can cause danger to persons or danger of short circuits.

WARNING!;This machine is not suitable for picking up health endangering dust.

WARNING: Inflammable substances must not be picked up with the machine!

CAUTION: Maintenance and repairs performed by unauthorized personnel could result in damage or injury. Maintenance and repairs performed by unauthorized personnel will void your warranty. Servicing of this unit must always be referred to an authorized US Sander distributor.

CAUTION: Use of this machine to climb on could result in injury or damage. Do not use this machine as a step or furniture.

CAUTION: Damage could occur to the machine if not properly kept in a dry building for storage. Store the machine in a dry building.

OPERATIONAL CONCERNS

The Dust Collector should run smoothly, with little or no vibration or rubbing noises. Strange or unnatural noises require that you turn off the machine, wait for it to stop moving, unplug the machine, investigate and correct the problem before further operation. If the source of an unusual noise or vibration is not readily apparent, contact our service department for help at 1-518 -875- 6124



Bag Changes

The lower bag on the dust collector should be emptied when it becomes 2/3 to 3/4 full.

1. Always wear a dust mask when removing and installing dust collection bags.
2. Shake the upper bag and let the dust inside settle for a few minutes.
3. Loosen the latch clamp holding the bag.
4. Take the bag off of the collector body and close up the opening.
5. Place a garbage bag over the opening of the collection bag. Invert both bags to empty.



⚠ DANGER

Never leave dust bag unattended with sanding dust in it. Sanding dust can spontaneously ignite and cause a fire or explosion. Empty dust bag into a metal container, clear of any combustibles. Do not empty content into a fire. Do not overfill dust bag.

Lubrication

Since all bearings are shielded and permanently lubricated, simply leave them alone until they need to be replaced. Do not lubricate them.

General MAINTENANCE

Regular periodic maintenance on your Model DS01 Dust Collector will ensure its optimum performance. Make a habit of inspecting your Dust Collector each time you use it. Check for the following conditions and repair or replace when necessary.

1. Loose mounting bolts.
2. Worn switch.
3. Worn or damaged cords and plugs.
4. Ripped or worn dust collection bags.
5. Any other condition that could hamper the safe operation of this machine.



Dust Bag

Periodically the dust bag should be turned inside out, shaken vigorously and machine washed in cold water to prevent pore blockage and loss of dust control.

System Grounding

Static electricity is generated in dust collection systems. Any spark generated by static electricity is a potential fire or explosion hazard.

Therefore, your dust collection system must be grounded by means of metal ducting throughout the system or, when plastic pipe and/or hoses are used, by bare copper wires.

If using metal ducting for the collection system, ensure that it is electrically connected to both the dust collector and each machine serviced in the system. If plastic hose is placed between metal ducting and any machine, secure a 12 gauge bare copper wire between the metal ducting and the machine.

When the system is to be made up of plastic pipe and/or hoses, wrap 12 gauge bare copper wire around the hose from the dust collector to the machine. Another wire should be placed inside the pipe/hose with exit holes for the wire placed near each end. **See Figures 22 and 23.** If the system has branches, place wires in the same fashion and connect to the wires on the main pipe/hose with wire nuts.

WARNING: Improper connection of the equipment grounding conductor can result in a risk of electric shock. Check with a qualified electrician or service person if you are in doubt as to whether the outlet is properly grounded. Do not modify the plug provided with the product - if it will not fit the outlet, have a proper outlet installed by a qualified electrician.

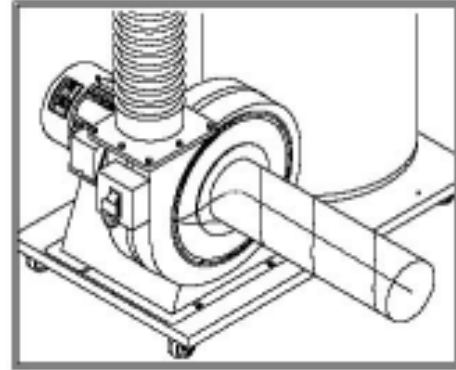


Figure 22. Wire inside and around pipe.

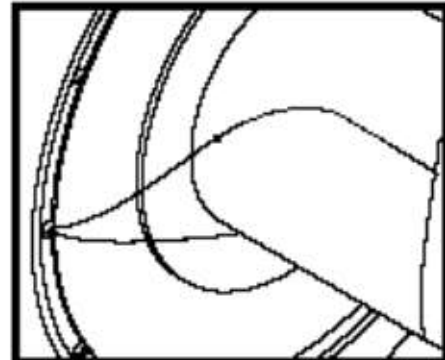


Figure 23. Ground wire secured to collector.

⚠️ WARNING

As with all power tools, there is danger associated with the DS01 Dust Collector. Use the tool with respect and caution to lessen the possibility of mechanical damage or operator injury. If normal safety precautions are overlooked or ignored, injury to the operator or others in the area is likely.

CLOSURE

The following pages contain parts diagrams/lists and warranty/return information for your Dust Collector. If you need parts or help in assembling your machine, or if you need operational information, we encourage you to call our Service Department. Our trained service technicians will be glad to help you. If you have comments dealing specifically with this manual, please write to us using the address in the General Information. The specifications, drawings, and photographs illustrated in this manual represent the DS01 as supplied when the manual was prepared. However, due to US SANDER LLC's policy of continuous improvement, changes may be made at any time with no obligation on the part of US SANDER LLC. Whenever possible, though, we send manual updates to all owners of a particular tool or machine. Should you receive one, add the new information to this manual and keep it for reference. We have included some important safety measures that are essential to this machine's operation. While most safety measures are generally universal, we remind you that each workshop or jobsite is different and safety rules should be considered as they apply to your specific situation.

We recommend you keep this manual for complete information regarding US SANDER LLC's warranty and return policy.

If you need additional technical information relating to this machine, or if you need general assistance or replacement parts, please contact the Service Department at 1-518-875-6124.

The DS01 was specifically designed for dust collection operations with floor sanders. **DO NOT MODIFY AND/OR USE THIS DUST COLLECTOR FOR ANY OTHER PURPOSE. Modifications or improper use of this tool will void the warranty.** If you are confused about any aspect of this machine, **DO NOT** use it until you have had all your questions answered.

Call for help - US Sander LLC
4131 State Route 20
Esperance, New York 12066
1-518-875-6124 fax 1-518-875-9942





CLEAN THE ALUMINUM BOTTOM OF THE EDGER

To enhance the dust pickup of the B2 Edger, Remove the cover backing from the adhesive on the hook and loop material. Place the self adhesive material along the bottom of the edger as shown. Start in the rear of the edger so the notches are up and fit around the caster bracket. Attach the hook and loop material along the bottom of the edger so it is about 1/16" above the floor.



This is rear view of the edger with the hook and loop installed.



The complete B2 ready to sand. The 2" - 3" boot is installed on the edger dust pipe and the 2" hose is plugged into the boot and the clamp is tightened.



Use the super flexible white hose to connect the Super 7R edger to the 2" hose.

You can cut the Velcro dust skirt to fit the Super 7R for improved dust pickup



This is typical connection for attaching the dust hose to a Hummel sander and also other sanders. The 3" white hose is used. The 3" end is pushed over the dust pipe flared end on the sander. Also it is easier if the 3" clamp is removed. Re install the 3" clamp and tighten. The quick connect end of the 3" hose is on the end of the 3" hose.

The 3" to 2" adapter can also be used if you wish to use a 2" hose.



Uses the DSA2 Rubber Boot



The sander can be quickly disconnected from the 3" hose.



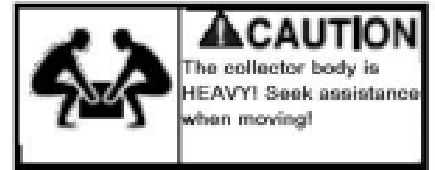
FOLDED FOR TRANSPORT

HOSES STORED IN BAG



SETUP

LOCATE OUTSIDE!



Step 1

BLOWER MUST BE LOCATED OUTSIDE! This prevents any blowby dust from entering the building. Also consider fire safety!

Roll the Blower to an **OUTSIDE** location which allows for considerations of electrical connections and hose entry. Decide which side you want to setup the dust bag collector (This can be front or right side). Set up the dust bag collector and put up the bag holder pole which will hold up the filter bag. **THE TOP BAG IS A SPECIAL FILTER BAG THAT BREATHES EASIIY.**

The bottom bags are all the same.
Locate an entry point for the 5" hose



Step 2 Use the window slider as an entry point into the home. Install the hose from the outside.



Step 3

Push the 5" hose end onto the blower and make sure pinlock is engaged on the CLEAR 5" hose.

Step 4

HOOK EITHER THE DOUBLE WYE OR THE TRIPLE WYE TO THE 5" HOSE AND MAKE SURE THE PINLOCK ENGAGES.

The 3" hose pinlocks to the wye and the 2" hose slides into the the small end of the wye.



If you are using only 2 outputs of the triple wye cap off the end with the provided rubber cap. Note: using the triple wye with 3 hoses will reduce dust collection effectiveness. This is an optional port

System may come with either a double wye or triple wye. Machine is designed to use a double wye.

Step 5 Connect the sander to the 3" hose and connect the edger to the gray 2" hose.



DSA2 Rubber boot

TIP! Leave any hoses connected to the system (attached to sander or not), in the sanding area, as close to center as possible. Any floating dust will be drawn to center of room.

Leave the blower on after sanding to collect any airborne dust.

ALSO: When using the double wye it will make no difference to cap off 1 hose. When using the triple wye capping off unused hose will help dust pickup.



Step 6

Use provided velcro to attach the power cords to the hoses. Makes sanding easier.



Make sure the main circuit breaker is **off** before making any connections.

220 Volt Input

Step 7



2 - 110 Volt Inputs

Step 8

Connect 220v 75' power cord to a 30 amp connection or connect the 2 110volt power cords to separate OUTLETS ON DIFFERENT CIRCUITS. Then connect the female connector on the cord to the control box on the blower. Set manual switch to remote and turn on breaker.

System will operate in remote or manual start position mode.



WHEN MACHINE BLOWER (220V ONLY) IS TURNED ON, there is an electrically sequenced startup. The one blower starts first and then 15 seconds later the second blower starts up. This allows for lower startup amperage surge.

Step 9



WARNING! Make sure system has proper electrical ground for safety.

COVER the blower with the protection bag before operation.

SYSTEM IS READY FOR USE.

Never leave dust bag with dust in bag! A spontaneous fire may result!

How to connect a Buffer to the System

1) CONNECT TO 2" HOSE

There is a 2" to 1.5" adapter and 10' of 1.5" gray hose that you can use to attach the 2" hose to a buffer.



UFO ORBITAL BUFFER
UFO & Sander 1600



Uses the DSA2 Rubber Boot

CONNECT TO 3" HOSE

USE THE 2" TO 3" RUBBER BOOT (DSA2) ON THE 3" HOSE AND PLUG IN THE 1.5" HOSE AND TIGHTEN THE CLAMPS. This will allow use of the 3" hose to connect to a buffer.

SPECIAL NOTE!! PERFORMANCE DEGRADED!
EVERY HOUR SHUT OFF DUST SYSTEM AND SHAKE TOP BREATHER BAG.
FINE DUST BUILDS UP INSIDE TOP BAG REDUCING DUST COLLECTION.
SHAKE TOP BAG WHILE STILL INSTALLED ON MACHINE.
ALSO check input safety grate for blocking debris.

HOW TO VACUUM A FLOOR

An optional vacuum is available that can connect to the 2" hose and use the Dust Collection System. This provides for vacuuming using normal 1.5" vacuum hose and attachments such as a felt tool. This also provides for hookup to other sanders that do not have good dust collection (i.e, such as palm sanders and toekick edgers.) This is also a lightweight, self contained unit that allows for the dust bag to be located outside with the vacuum and have the long 50 ft hose run inside and connect to dust collection buffers. This is handy after the dust collection system is not on the job site.

Start Up Procedures.

1. Make sure the circuit breaker is in the “on” position.
2. If using the remote control, the toggle switch should be in the “remote” position.

The blowers should turn on immediately if toggle switch is put in “manual” position.

WHEN MACHINE BLOWERS ARE TURNED ON, there is an electrically sequenced startup on the 220volt system. one blower starts first and then 15 seconds later the second blower starts up. This allows for lower startup amperage surge. This functions in “remote” and “manual” modes. The 110 volt system has both blowers start together.

TROUBLESHOOTING NEITHER BLOWERS START

1. Make sure the power light is ON in the control box and ground is functioning.
Caution when checking power. Make sure there is 220 volts on the 220v system..
2. Make sure the circuit breaker in the “on” position.
4. Set toggle switch to “manual” position. The blowers should start immediately. If blowers do not start, call US for repair.
5. If both motors start in manual mode but not in remote mode confirm battery light goes on when a remote button is pushed. Also try changing battery in remote. **Then it is necessary to reprogram controlbox receiver.**

**IF AFTER TRYING THIS AND REMOTE DOES NOT WORK OR BLOWERS DO NOT START
CALL US Sander LLC 518 875 6124**

NOTICE!!!!

IF Circuit breakers in home trip often - cap off 1 inlet on the triple wye. This will reduce the current draw.

RESET THE REMOTE CONTROL

NOTES:

The remote transmitter is preprogrammed with one of 80 different codes.

The receiver is capable of user reprogramming to match the remote.



HOW TO REPROGRAM THE RECEIVER.

Remove the top cover of the blower system.. With power on to the machine and the motor plugs removed so the blowers do not run, there is a hole in the front of the power box. Using the provided tool push straight into the hole until you here a click - press and hold the program button, until you hear a BEEP and then continue to hold until within 5-6 seconds you hear a triple beep. **All previous codes have been erased.**

HOW TO SET THE REMOTE TO THE RECEIVER.

Now press the program button on the box again and release it quickly. You will hear a single beep. Within 5 seconds press the “ON” button on the remote and you should hear a single beep. Now press the “OFF” button on the remote and you will hear a triple beep. The remote control is operational.



TOP OF MACHINE

WARNING!

This unit may be accidentally activated by other R.F transmitting devices, i.e. garage door openers, T.V. remotes, etc.

Disconnect power when servicing the blower assembly.



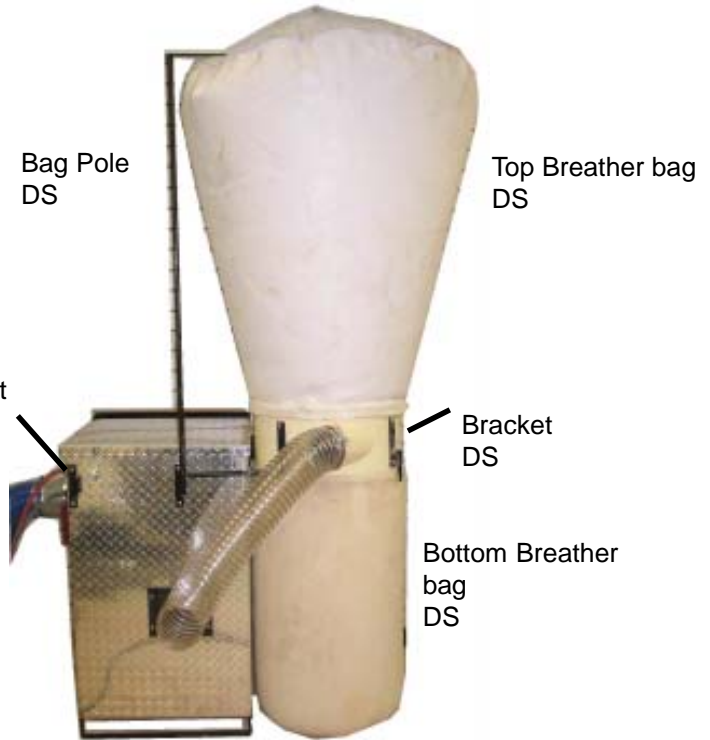
220v box
DS20-220

110v box
DS20-110

Electrical boxes available by exchange only.
All parts available Thru US Sander
Or Grainger.



bag clamp
DS



Swivel arm and mount
DS



INTERNAL BLOWERS
Blower 220V Complete DS
Blower 110V Complete DS

8" Wheel
DS
Wheel CAP
DS

Plastic flange 5"
DS
5" x32" hose
DS

6" Stainless Inlet pipe
DS



5"-6" metal Hose connector
with quick release pin
DS



5" x 50 foot with
quick connectors
from blower to wye
DSH5



3" x 50 foot with
quick connectors
from wye to sander
May come in Gray or other colors
DSH3



2" x 50 foot with
quick connectors
from wye to edger - buffer
DSH2

System may come with either a double wye or triple wye. Machine is designed to use a double wye. Using 3 ports on triple wye will decrease performance.



DS008A Ttriple WYE



DS008B
2" Cap
for wye



DS008C
3" Cap
for wye



DS27 Window slider



Power cord
220V DS
110V DS



DS20M Handheld Remote



DS25 Bag Clamp
Metal



DS21
VelcroCord
Strap



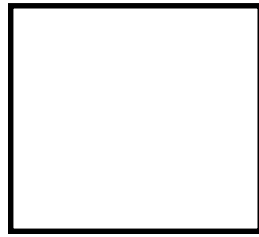
DS24 1.5" hose
DS011 2" to 1.5" adapter



American B2 edger boot connector,
Hummel, Clarke and Galaxy
DSAR3 3" X 2"
DSAR4 4" x 3"



Quick Connector
Female 3" Con DS
Male 3" Con DS



White Flexible Hose
with 2 clamps
2" DS
2.25" DS
3" DS



Quick release clamp
adjustable.
S00

NEW DUST COLLECTION ACCESSORIES FROM CLARKE®



This conversion kit will allow any older model Clarke American Super 7R or B-2+ edger to take advantage of the new dust control features we have added to our edger line of products. The kit comes with a complete dust pipe assembly, a hose cuff, and a dust bag.

- Dust pipe rotates to give the operator better access to closets and tight spaces
- Hose cuff allows the edger to be easily attached to any standard 1-1/2" or 2" vacuum hose
- Quick release dust bag can be removed from the machine with a simple twist and pull

**Makes edging easier with swivel pipe hooked to the vac hose!
QUICK HOOKUP OF HOSE AND BAG!**

US Sander LLC
4131 Route 20
Esperance, NY 12066
518 875 6124

SPECIAL NOTE!! PERFORMANCE DEGRADED!
EVERY HOUR SHUT OFF DUST SYSTEM AND SHAKE TOP BREATHER BAG.
FINE DUST BUILDS UP INSIDE TOP BAG REDUCING DUST COLLECTION.
SHAKE TOP BAG WHILE STILL INSTALLED ON MACHINE.