

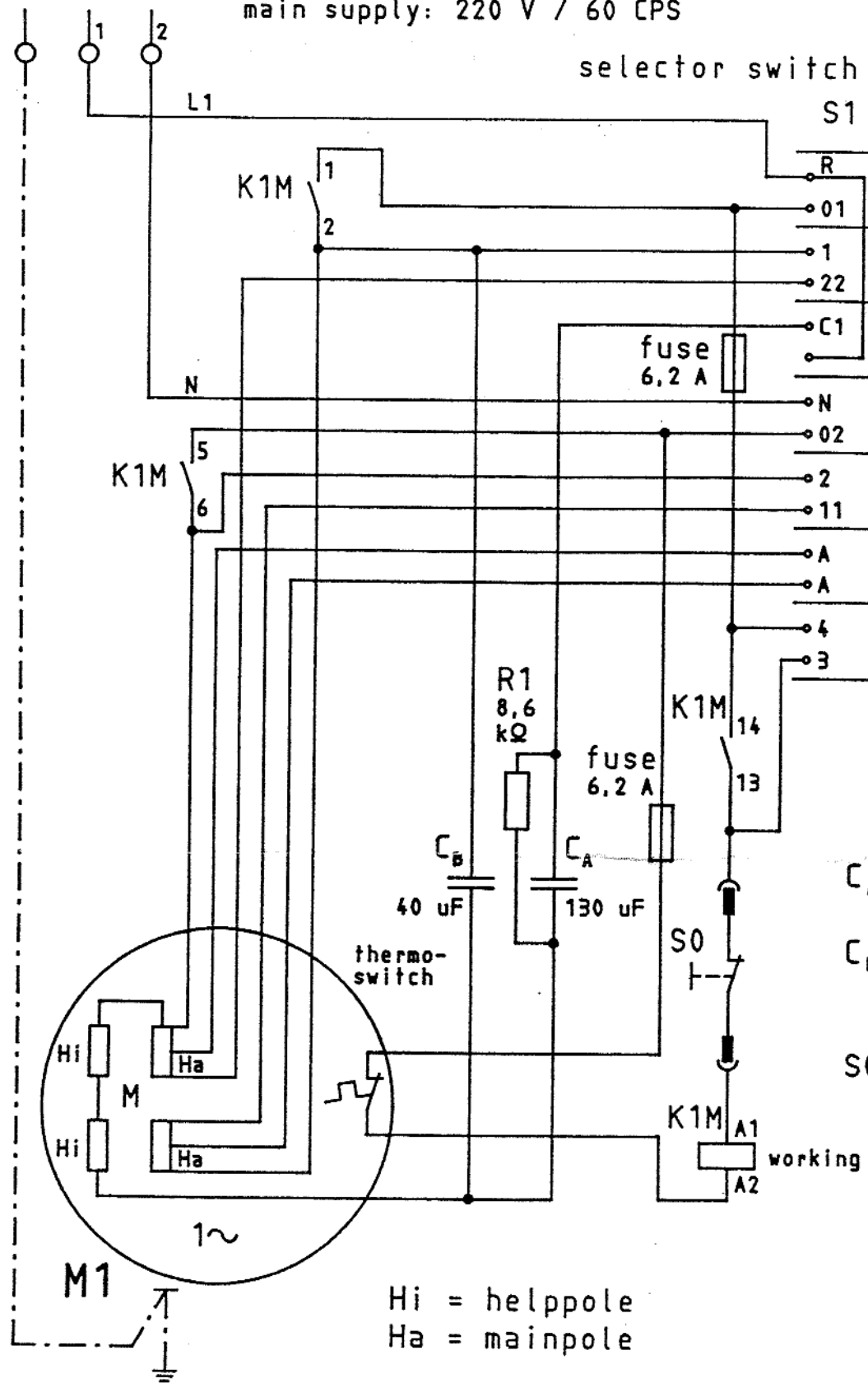
PE L1 N

max. fuse: 20 A
main supply: 220 V / 60 CPS

Hummel

selector switch

	test	stop	working	start
S1	1	2	3	4
R	×		×	×
01			×	
1				
22				
C1	×			×
N	×		×	×
02			×	
2				
11			×	
A	×			×
A				
4	×			×
3				



CA = starting capacitor
CB = running capacitor
S0 = emergency stop

Hi = help pole
Ha = main pole

Eugen Lägler GmbH
Maschinenbau
Industriegebiet Kappelrain
D-74363 Bödingen

Telephone: 07135/9890-0
Telefax: 07135/9890-98

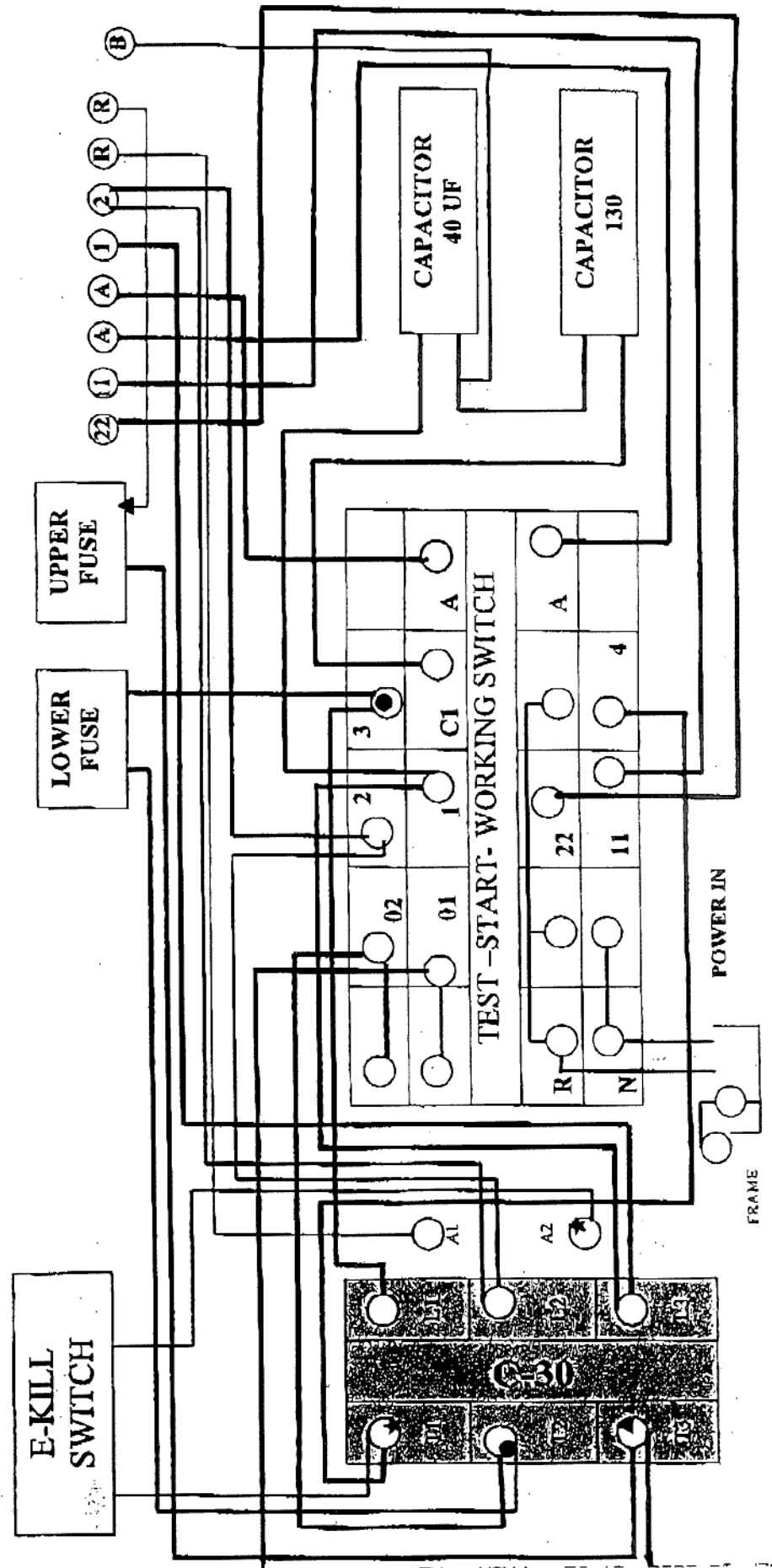
Connection

DATE	NAME
WORK 16.12.97	Wörner

SINGLE-PHASE-A.C.-MOTOR B6 112
220 VOLT / 60 CPS / 2,9 KW
FOR DRUM SANDING MACHINE ELF
FOR BELT SANDING MACHINE HUMMEL

**SINGLE PHASE A.C. MOTOR - 220 V - 60 C.P.S. - 4 H.P.
FUSED HUMMELS: LATE 1998 & NEWER**

PRE-ENGAGEMENT PROBLEM TEST POINTS: ● Tests Lower Fused Circuit ▲ Tests Upper Fused Circuit ★ Tests E-Kill Circuit
NO ENGAGEMENT: TEST CONTINUITY
CONTACT "FLUTTER": USE JUMPERS



Old HSSW

CONTROLLER INSTALATION INSTRUCTIONS FOR HUMMEL FLOOR SANDER PROFESIONAL INSTALATION ONLY

1, Before removal of original switch and capacitors, determine from original connections to the switch and capacitors the numbers on the wiring schematic.

2, If the numbers cannot be determined label each of the wires so that when you remove them you can they can be rehooked back to the old switch. Un hook the

wires but leave as long as Possible to the motor. Now using a digital ohm meter determine the run coils and start coils.

Run winding coil - find 2 wires with a reading of about .5 ohm. Now using one of those wires locate the A wire- should read .2 or .3. Mark the A wire. using the A wire as a reference ohm out the wires to determine 1 or 11 , & 2 or 22. (the number 1 or 2 will be determined in the next step.

Start winding. Either two wires (maybe red) that are not connected to anything else (read about 1.5 ohm) or 1 RED wire and 1 run wire with a reading of 1.5

ohm. That run wire is the number 2 wire. SEE FIGURE #1

3, Put silicone between the motor and the new control box to keep out dust. feed wires through holes in box bottom and bolt down. **Make sure that GREEN GROUND wire is bolted to box and motor using one of these bolts.**

6, Hook up wires as per figure 2. **CAP OFF UNUSED WIRES A**

DOUBLE CHECK WIRING. IF WRONG MOTOR OR CONTROLLER WILL BE DAMAGED.

7, Install fuses, **NEVER USE LARGER THAN 30 Amp FUSES**
fuses are time delay type D

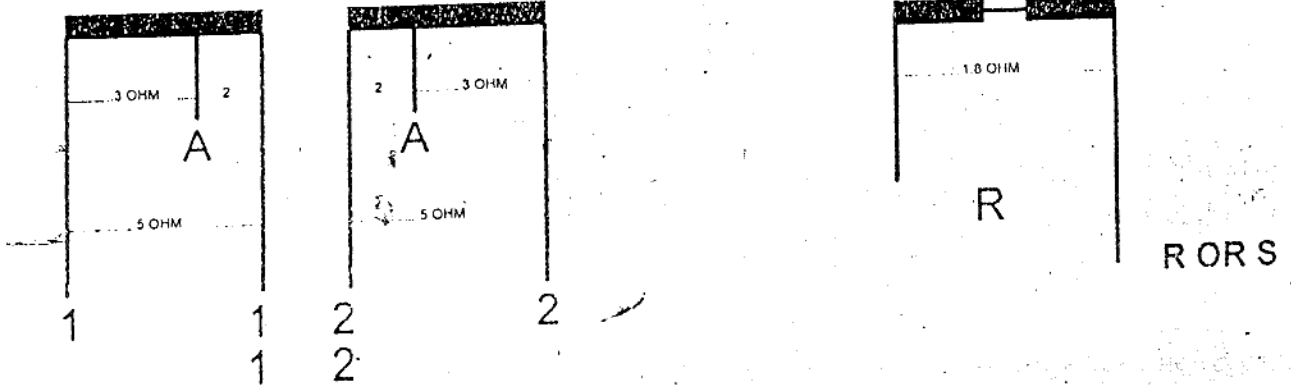
8, Install 30 amp connector on power wire. Remember GREEN IS GROUND

9, **Check for proper operation and rotation.** (If there were 2 start wires reversing these will change rotation)

Old HSSW

MAIN WINDINGS-RUN

START WINDINGS



NOTE: WIRE A IS NOT USED ON NEW CONTROL. DO NOT CUT SHORT. CAP OFF END FOR SAFETY.

MARK WIRES BEFORE DISCONNECTING FROM ORIGINAL SWITCH

FIGURE # 1

40 ufd

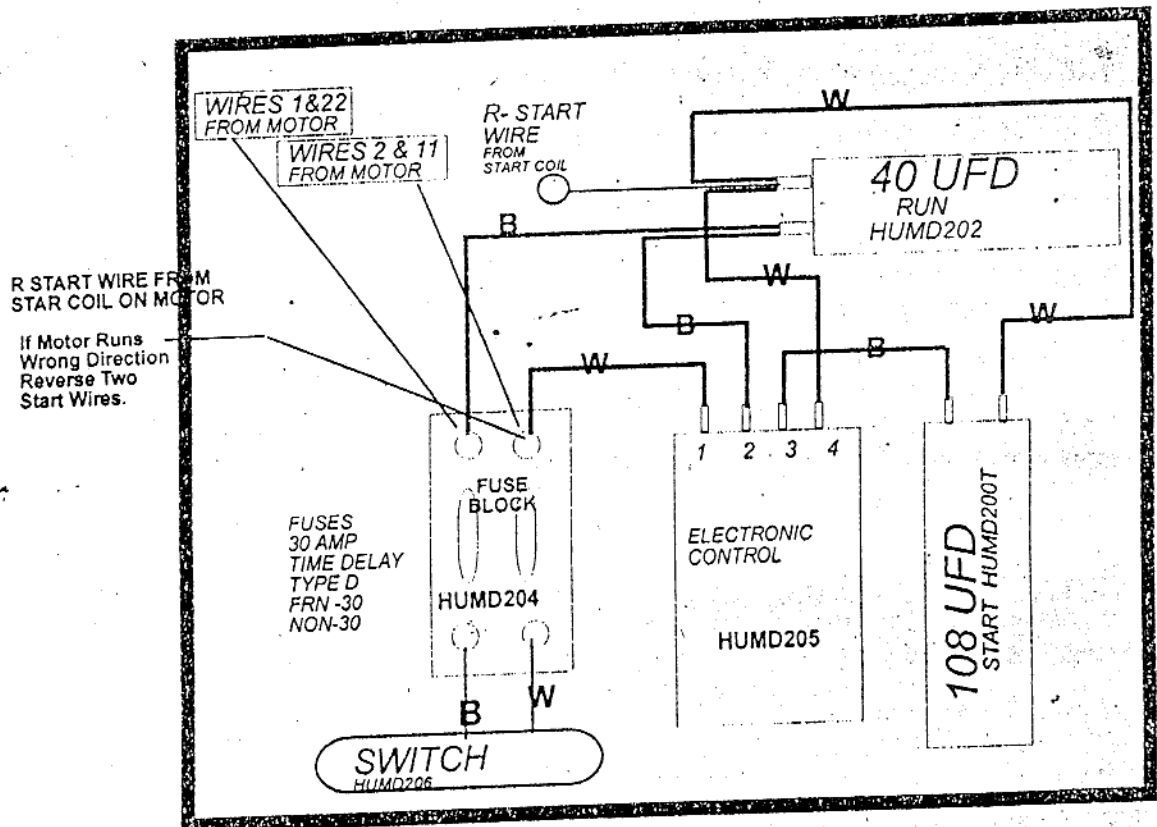


FIGURE # 2

QUESTIONS? CALL DRUMCO 518 875 9157

GROUND GREEN WIRE TO MOTOR AND BOX