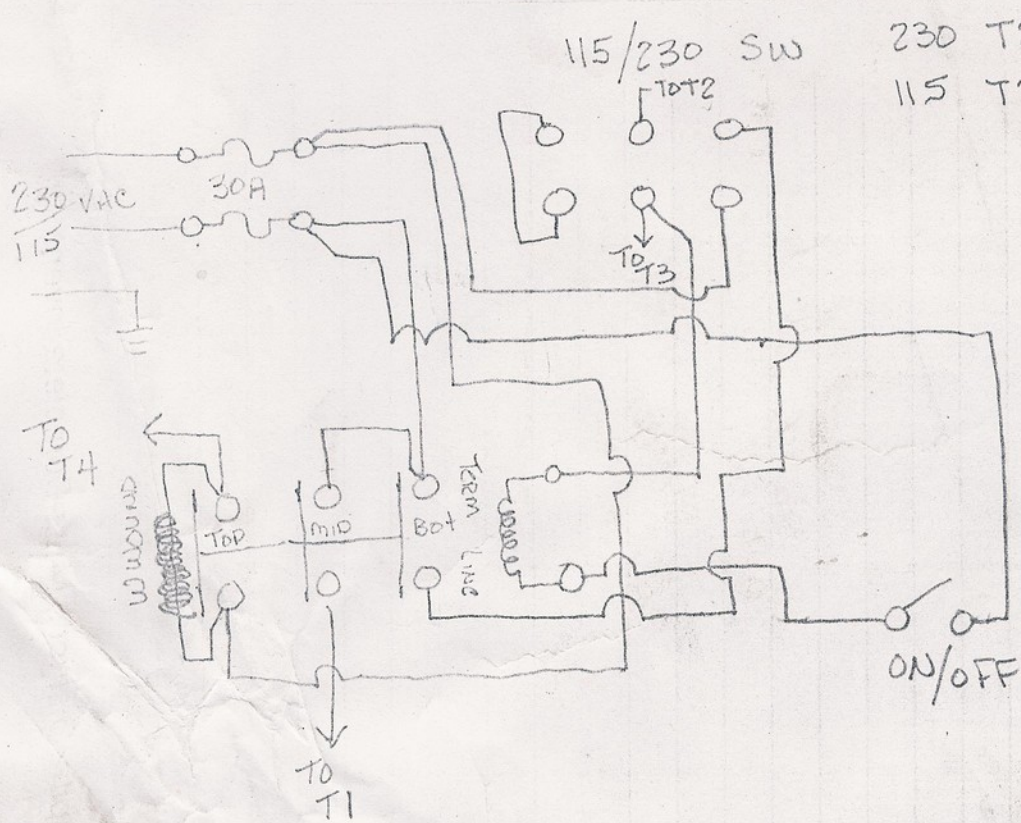


# American 8 Motors

American 8 with  
Pogo stick handle

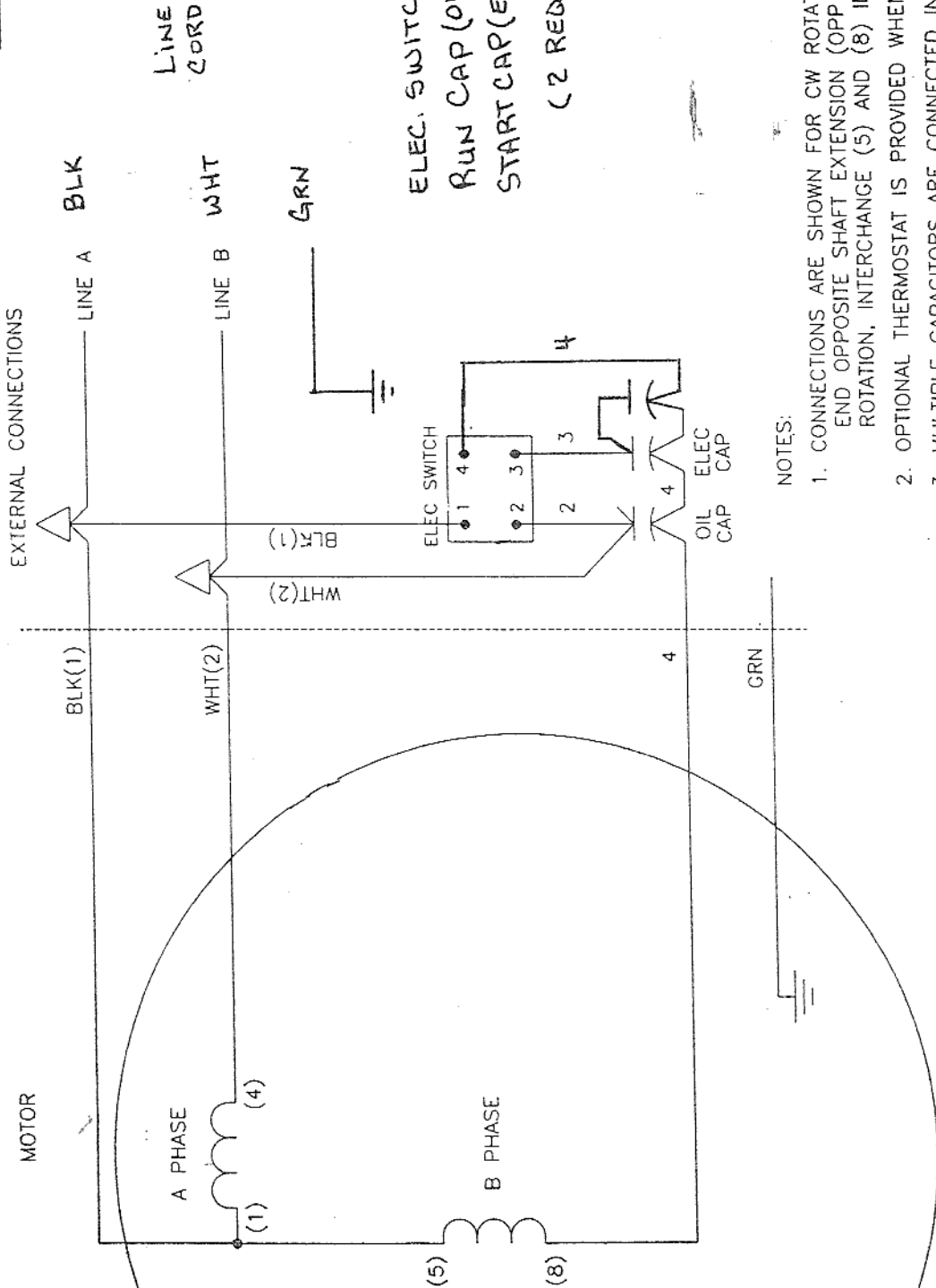


1-800-524-0081  
— 33 & 4 part —  
MILWAUKEE, WI 53188  
JEEZE  
MUMMOLA • 2221V1ATW





# American 8 Motors



ELEC. SWITCH 2CVR70A  
 RUN CAP (OILCAP) 30uF  
 START CAP (ELEC CAP)  
 216-259 uF  
 (2 REQ'D)

### NOTES:

1. CONNECTIONS ARE SHOWN FOR CW ROTATION FACING END OPPOSITE SHAFT EXTENSION (OPP STD). FOR CCW ROTATION, INTERCHANGE (5) AND (8) INTERNALLY.
2. OPTIONAL THERMOSTAT IS PROVIDED WHEN SPECIFIED.
3. MULTIPLE CAPACITORS ARE CONNECTED IN PARALLEL UNLESS OTHERWISE SPECIFIED.
4. USE STEARNS ELECTRONIC START SWITCH OR EQUIVALENT.
5. CLARKE INDUSTRIES REQUIRES COLORS AND NUMBERS FOR LEADS

## BALDOR ELECTRIC Co.

REV. DESC: ADDED WHT AND BLACK COLOR CODE, SEE EC09

REV. LTR: C BY: JED REVISED: 10/28/99 3:28

FILE: AAA00033714

MTL: -

TDR: 0193245

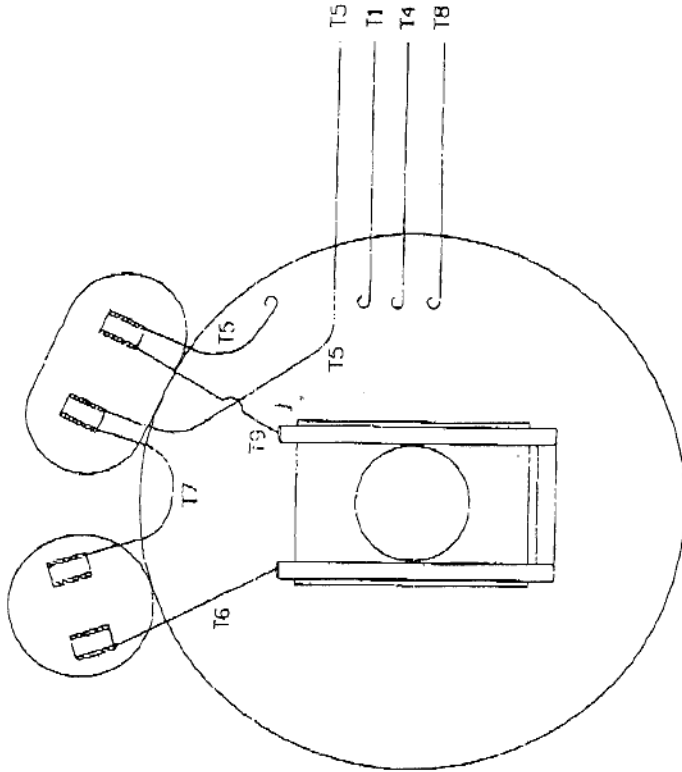
MDL: -

TYPE LC, SV, FIX, 3 LEADS, SEP CAPS & D ELEC SW, COLOR LDS

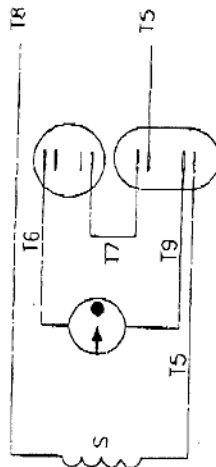
# American 8 Motors

ATTN: Phil

VIEW FROM OUTSIDE OF MOTOR AT SWITCH END.



LINE LEADS



ROTATION FACING LEAD END	L1	L2
C.C.W.	T1, T8	T4, T5
C.W.	T1, T5	T4, T8

**LEESON ELECTRIC CORPORATION**

DRAWN BY	ADH	DATE	02/19/74
CHECKED BY	HRK	DATE	02/20/74
APPROVED BY	JCW	DATE	02/20/74
SCALE	1=1		
REF.			
FINISH			

TOLERANCES UNLESS OTHERWISE SPECIFIED	
DECIMALS	
.10	± .01
.000	± .005
.0000	± .0005
FRACTIONS	± 1/64
ANGLES	± 1/2°
INCHES/MILL	

REVISION	BY	DATE
1B REDRAWN ON CAD	DBF	06/24/97

THIS DRAWING IN DESIGN AND DETAIL IS OUR PROPERTY AND MUST NOT BE USED EXCEPT IN CONNECTION WITH OUR WORK. ALL RIGHTS OF DESIGN AND INVENTION ARE RESERVED.

DECAL - 004018  
**BRF**

EXTERNAL WIRING DIAGRAM  
TYPE "K" W/O PROTECTOR

SIZE A  
DRAWING NO. 005018-01