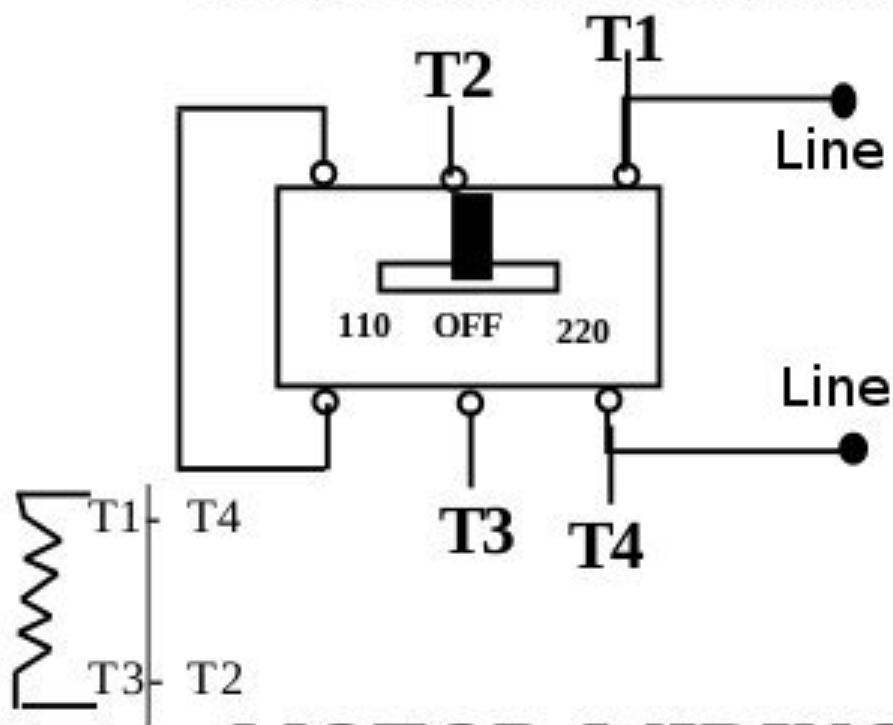


K280 110-220V SWITCH FOUND ON OLDER SANDERS



MOTOR WIRING